

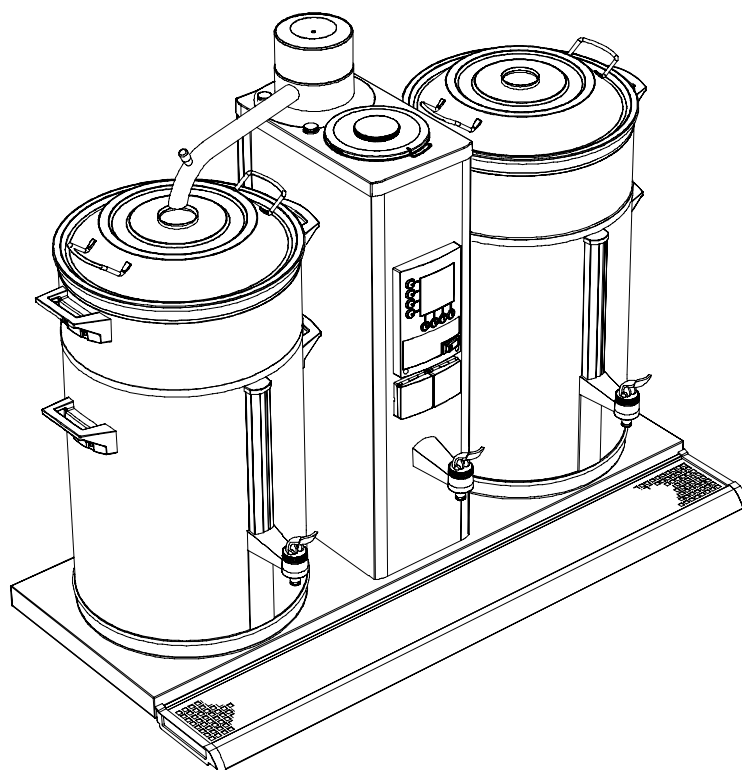
Bravilor Bonamat®

GB

Operating instructions

Round-filter coffee brewer with hot water tap

B5HW, B10HW, B20HW



700.403.293H/04-2006

Bravilor Bonamat®

© 04-2006

Bravilor Bonamat

Pascalstraat 20

1704 RD Heerhugowaard

The Netherlands

All rights reserved.

No part of this document may be copied and/or published by means of printing, photocopying, microfilming or by any other means whatsoever without the prior written consent of the manufacturer. This applies equally to the included drawings and/or diagrams.

The information contained in this document is based on general data concerning the construction, materials characteristics and working methods known to us at the time of publication and therefore we reserve the right to make changes without notice. For this reason the instructions given should be regarded as a guide to the installation, use and maintenance of the machine indicated on the front cover.

This document applies to the standard version of this machine. The manufacturer therefore accepts no liability for any damage arising from specifications that deviate from the standard version of the machine as delivered to you.

Every possible care has been taken in the production of this document, but the manufacturer accepts no liability for any errors in this document or for any consequences arising therefrom.

TAKE THE TIME TO CAREFULLY READ THIS DOCUMENT BEFORE USING THE MACHINE.

DURING READING KEEP THE FOLD-OUT OPEN.

ALWAYS KEEP THIS DOCUMENT NEAR THE MACHINE.

PREFACE

Using this document

This document is intended to provide instructions for authorized users to safely install, use and maintain the machine.

In this document, such users are divided into three categories:

- random users: those who operate the machine in practice.
- Users with limited authority: those who operate the machine in practice and must therefore perform daily maintenance and solve any (minor) problems that may occur. For them particularly chapters 1., 2., 4., 5., 6., 7.1, 7.2 and 8. are important.
- Specially trained users (chief) with more comprehensive authority who must be familiar with the entire document.

All sections and paragraphs are numbered. The page numbers are placed at the bottom of each page.

The operations described in this manual are illustrated with the help of the B10HW with the standard factory settings.

The position numbers used in this document refer to the figures in the fold-out.

Icons and symbols

In this **document** the following icons and symbols can be found:



TIP

- Hint, suggestion or advice to carry out certain tasks more easily or neatly.



CAUTION!

- Procedures that can result in damage to the machine, the surrounding area or the environment if they are not carried out with due care.



WARNING

- △ Procedures that can result in serious damage to the machine or in physical injury if they are not carried out with due care.



WARNING

- △ Risk of electric shock.



WARNING

- △ Risk of burns.

Related documents

The following related documents are available:

- B / B HW maintenance manual

: 700.703.Oxx

Document code

Document codes consist of two fields:

- Field 1: document number (if required followed by the revision number)
- Field 2: revision date

Service and technical support

Please contact your dealer for information concerning the specific setting, maintenance or service activities that fall outside the scope of this document. Your dealer will always be happy to help you. When doing this, always ensure that you have the following details at hand:

- Model code
- Type number
- Serial number

These data can be found on the identification plate. Write down the data of the identification plate in the intended fields (fig.1).

Guarantee conditions

The guarantee conditions applicable to this machine form part of the terms of delivery.

Identification of the machine

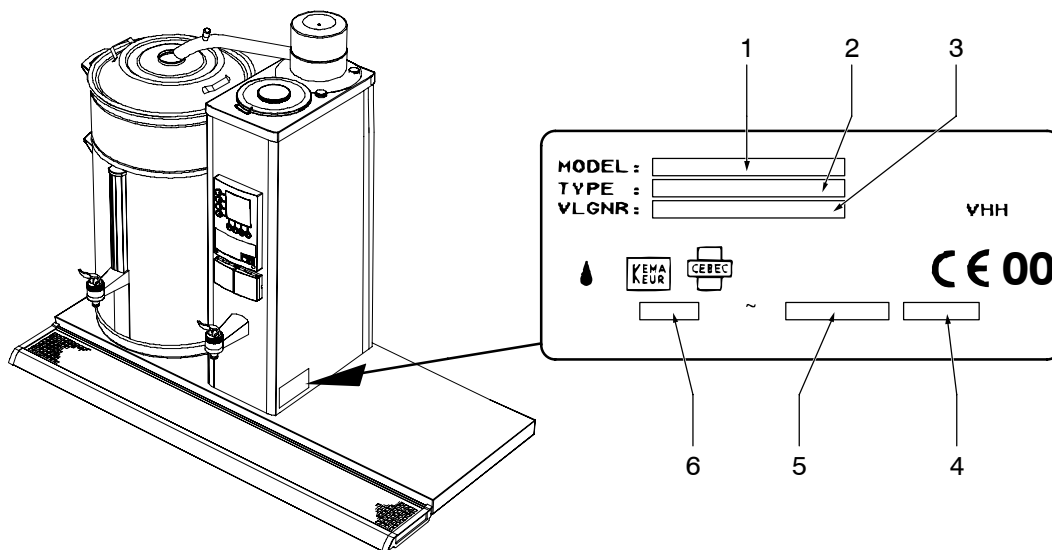


Fig. 1 Identification plate

1. Model code
2. Type number
3. Serial number
4. Output capacity
5. Frequency
6. Supply voltage

Table of contents

Preface	I
Using this document	I
Icons and symbols	I
Related documents	I
Document code	I
Service and technical support	II
Guarantee conditions	II
Identification of the machine	II
Safety instructions and danger warnings	VIII
General	VIII
Instructions for use	VIII
Icons and instructions on the machine (if present)	VIII
Users	VIII
Proper use	VIII
Technical specifications	VIII
Modifications	VIII
Installation	IX
Use	IX
Maintenance and repairing failures	IX
Safety devices present	X
Machines and the environment	X
Packaging material	X
Disposal of the machine	X

1. Introduction	1
1.1 A quick look at the machine	1
1.1.1 General description	1
1.1.2 Main components	1
1.1.3 Use of the keys	2
1.2 Brief description of operation	2
1.2.1 Coffee-making system	3
1.2.2 Hot water system	3
2. Technical data	4
2.1 Dimensions	4
2.2 Electrical system	4
2.3 Water system	5
2.4 Environmental conditions	5
2.5 Recommended cleaning and descaling materials	5
2.6 Recommended coffee and filter paper	5
3. Installation	6
3.1 Unpacking	6
3.2 Installation	7
3.2.1 Connection to the water and electrical system	7
3.2.2 Initial use	7
3.2.2.1 Activating and flushing the HW system	7
3.2.2.2 Flushing the coffee-making system	8
4. Daily use	9
4.1 Operation	9
4.1.1 Making coffee	9
4.1.2 Tapping the coffee	10
4.1.3 Pre-programmed settings	10
4.1.4 Coffee calculator	10
4.1.5 Starting the hot water system	11
4.1.6 Tapping hot water	11
5. Maintenance	12
5.1 Maintenance activities that may be carried out by the daily user	12
5.1.1 General cleaning	12
5.1.2 Daily cleaning of the coffee-making system	12
5.1.3 Weekly cleaning of the coffee-making system	12
5.1.3.1 Cleaning the gauge glass	13
5.2 Maintenance activities for users with limited and extended authority	14
5.2.1 Descaling the coffee-making system	14
5.2.2 Descaling the hot water system	14
6. Programming carousel	15

Table of contents

7. Programming	16
7.1 The users' menu	16
7.1.1 Pre-programmed time settings for making coffee (timer)	16
7.1.2 Once-only time settings for making coffee	18
7.2 The limited programming menu	19
7.2.1 Day counter coffee-making system	20
7.2.2 Day counter hot water system	20
7.2.3 Starting descaling programme coffee-making system	21
7.2.4 Starting descaling programme hot water system	23
7.2.5 Descaling counter coffee-making system	25
7.2.6 Descaling counter hot water system	25
7.2.7 Total counter coffee-making system	26
7.2.8 Total counter hot water system	26
7.3 The extended programming menu	27
7.3.1 Setting total amount of water	27
7.3.2 Selected units: litres, cups, jugs or US gallon	28
7.3.2.1 Changing pre-programmed selection keys G-J (Litres)	28
7.3.3 Cup contents	29
7.3.3.1 Adjusting pre-programmed selection keys G-J (Cups)	29
7.3.4 Jug contents	30
7.3.4.1 Adjusting pre-programmed keys G-J (Jugs)	30
7.3.5 US gallon	31
7.3.5.1 Adjusting pre-programmed selection keys G-J (Gallon)	31
7.3.6 Settings hot water system	32
7.3.6.1 Setting temperature and degrees Celsius or Fahrenheit	32
7.3.6.2 Resetting the automatic boiling point determination programme	32
7.3.7 Various settings, such as language, system clock, and container preheating	33
7.3.7.1 Language setting	33
7.3.7.2 Setting the current day and time	33
7.3.7.3 Setting container preheating	34
7.3.8 Timer	35
7.3.9 Lengthening water delivery time by setting pauses	36
7.3.10 Setting dripping-on time	36
7.3.11 Setting number of grams of coffee per litre (coffee calculator)	37
7.3.12 Reading total counter hot water system	38
7.3.13 Reading total counter coffee-making system	38
7.3.14 Setting descaling signal hot water system	39
7.3.15 Setting descaling signal coffee-making system	39
7.3.16 Starting descaling programme hot water system	40
7.3.17 Starting descaling program coffee-making system	40
7.3.18 Resetting the day counter of the hot water system	40
7.3.19 Resetting day counter coffee-making system	40
8. Correcting malfunctions	41
8.1 Malfunctioning analysis general	41
8.2 Coffee-making system	42
8.3 Hot water system	43
8.4 Display messages and their meanings	44
9. Consumable items and accessories	45
9.1 Recommended consumable items	45
9.2 Accessories	45

Fig. 1 Identification plate	II
Fig. 2 Water connecting hose	2
Fig. 3 Operating panel coffee-making and hot water system	2
Fig. 4 Display with descaling signal coffee-making system	3
Fig. 5 Display with descaling signal hot water system	3
Fig. 6 Activating the HW system	8
Fig. 7 Display with the default options	8
Fig. 8 Starting screen	9
Fig. 9 Dripping-on time	10
Fig. 10 Placing the sight glass cover	13
Fig. 11 Placing and removing the gauge glass cover	13
Fig. 12 Carousel of the programming menu	15
Fig. 13 Example current day and time	16
Fig. 14 Default pre-programmed setting	16
Fig. 15 Waiting mode timer	17
Fig. 16 Day counter coffee-making system	20
Fig. 17 Day counter hot water system	20
Fig. 18 Starting the descaling programme coffee-making system	21
Fig. 19 Coffee-making system asks for descaling solution	21
Fig. 20 First level descaling programme coffee-making system	22
Fig. 21 Starting the descaling programme hot water system	23
Fig. 22 Overflow pipe hot water system	23
Fig. 23 Hot water system asks for descaler	23
Fig. 24 First level descaling programme hot water system	24
Fig. 25 Pause for interaction of the descaler	24
Fig. 26 Descaling counter coffee-making system	25
Fig. 27 Descaling counter hot water system	25
Fig. 28 Total counter coffee-making system	26
Fig. 29 Total counter hot water system	26
Fig. 30 Total amount of water	27
Fig. 31 Units to be selected	28
Fig. 32 The default set unit = L (litres)	28
Fig. 33 Default pre-selection keys	28
Fig. 34 Cup contents	29
Fig. 35 Adjusting pre-programmed selection keys for cups	29
Fig. 36 Jug contents	30
Fig. 37 Adjusting pre-programmed selection keys for jugs	30
Fig. 38 Pre-programmed selection key for gallons	31
Fig. 39 Adjusting pre-programmed selection keys for gallons	31
Fig. 40 Setting the temperature	32
Fig. 41 Language setting	33
Fig. 42 Current day and time	33
Fig. 43 Container preheating	34
Fig. 44 Pre-programmed settings (inactive)	35
Fig. 45 Pre-programmed setting (active)	35
Fig. 46 Pause time 100%	36
Fig. 47 Dripping-on time	36
Fig. 48 Setting the coffee calculator	37
Fig. 49 Total counter hot water system	38
Fig. 50 Total counter coffee making system	38
Fig. 51 Descaling signal hot water system	39
Fig. 52 Descaling signal coffee-making system	39
Fig. 53 Resetting the day counter of the HW system	40
Fig. 54 Resetting day counter coffee-making system	40

Table index

Table 1 Dimensions	4
Table 2 Electrical values	4
Table 3 Water values B HW	5
Table 4 Adjusting total amount of water	27
Table 5 Default settings	28
Table 6 Default pre-selection keys for cups	29
Table 7 Default pre-selection keys jugs	30
Table 8 Default pre-selection keys gallon	31
Table 9 Language option	33
Table 10 Reproduction "Days of the week"	33
Table 11 Minimum amount first charge	36
Table 12 Number of grams per litre	37
Table 13 Water hardness	40

Safety instructions and danger warnings

General

The manufacturer accepts no liability whatsoever for damage or injury resulting from a failure to (strictly) observe the safety instructions contained in this document or resulting from negligence during the installation, use or maintenance of the machine specified on the front cover of this document or of any related accessories.

Additional safety instructions may be required, depending on the specific working conditions required for the accessories used. Please contact your dealer if you think there may be any potential danger in using the machine.

The full responsibility for observing the local safety instructions and regulations always rests with the user of the machine.

Instructions for use

- Each person working with the machine should know the contents of this document and carefully follow the instructions contained. The management must instruct the personnel on the basis of this document and take all the instructions and recommendations into account.
- Never change the order in which activities must be carried out.
- Always keep this document near the machine.

Icons and instructions on the machine (if present)

- Icons, warnings and instructions attached to the machine form part of the safety provisions. They must not be covered or removed and they must be present and remain legible throughout the life of the machine. Any icon, warning or instruction that becomes illegible must be repaired or replaced immediately.

Users

- The machine may only be used by properly trained and authorized persons. Temporary staff and persons undergoing training may only use the machine under the supervision and responsibility of authorized users.

Proper use¹

The machine is exclusively designed for delivering coffee and hot water. Any other or further use is not in conformity with the purpose. The manufacturer does not accept any liability for damage or injury resulting from this. The machine meets the current standards and guidelines. Use the machine only if it is in perfect technical condition and only for the proper purpose as described above.

Technical specifications

The specifications given in this document may not be modified.

Modifications

Modification of (parts of) the machine is not allowed.

1. "Proper use" as laid down in EN 292-1 is the use for which the technical product is suitable as stated by the manufacturer – including any instructions in the sales brochure. In cases of doubt, it is the use that is evident from the construction, version and function of the product. Proper use includes taking into account the instructions included in the "instructions for use".

Installation

- The maximum acceptable ambient temperature with which a good operation can be guaranteed is 40°C.
- Consider damage caused by freezing. Never place the machine in rooms in which the temperature can drop below 0°C. After all, with normal use there will always be water in the machine.
- Do not turn over the machine, move it upright.
- Never install the machine in places where water is sprayed or sprinkled.
- Never install the machine in front of entrances, exits or passageways intended for emergency services.
- Place the machine on a sufficiently solid, flat surface close to a water connection, water discharge and an earthed electrical power outlet.
- Leave sufficient space at the back and front of the machine for maintenance and repair purposes.
- Connect the machine to a readily accessible, manually operated water tap, so that the water supply can easily be turned off.
- Connect the machine to the electrical supply in such a way that the connection of all phases and neutral can be easily disconnected. The minimum distance between the disconnected contacts have to amount 3 mm at least.
- Ensure that the machine is correctly earthed.
- Always observe local rules and standards when installing this machine.

Use

- Inspect the machine before use and check for damages.
- Protect the machine against water and moisture. Do not allow the machine to become wet by spraying and never submerge the machine in water.
- Keep the operating controls free from dirt and grease.
- Never use sharp objects to operate the push buttons.
- Note that during use some parts of the machine become very hot.
- Disconnect the electrical supply and the water supply when the machine will not be used for long periods. Clean the machine following the instructions in chapter 5.. Discharge the water (§ 4.1.6).

Maintenance and repairing failures







TIP

- In this document a clear distinction is made between **maintenance activities** that can be carried out by the daily user and activities which are exclusively reserved for users with limited authority (operator) and especially trained users with more extensive authority (principal).
- **Repair** and maintenance activities not included in this document are always reserved to service mechanics.
- If the mains lead is visibly damaged, it has to be replaced by a qualified service technician.
- Observe the given maintenance intervals. Overdue maintenance can lead to high repair costs and may cause guarantee claims to become invalid.
- Do not carry out any maintenance activities concerning the machine before having it protected against unintentional coming into operation. In such cases disconnect the electrical supply.
- Never leave the machine during maintenance activities.
- For cleaning the machine only use the cleansing agent and descaler recommended by the manufacturer.
- Always wear suitable facial protection and gloves while working with cleansing and descaling materials. Wash your hands after using these materials.
- Prevent damage of the machine caused by spilled descaler solution. Remove spilled solution as quickly as possible and follow the previously mentioned safety instructions.

Safety devices present

The machine is default provided with the following safety devices:

- **ON/OFF switch (P.)**
With the ON/OFF switch the supply of the **electrical current** is switched on and off. The supply **voltage** – also in the OFF position – is never switched off. In practice this switch functions as the main switch for switching the machine on and off.
- **SELECTION keys (G. – J.)**
With the SELECTION keys the coffee-making process is started.
- **STOP key (K.)**
With the STOP key the coffee-making process is stopped.
When the machine is re-started after having been stopped, the coffee-making process begins again.
- **Thermal protection against boiling dry**
A temperature contact in both the coffee-making and the hot water system makes sure that the power is interrupted as soon as the boiler temperature exceeds the boiling point by several tens of degrees Celsius.
- **Overflow protection (coffee-making system)**
A water meter measures the quantity of water required by each coffee-making system. If the electrically-operated water tap is opened while the water meter is not generating pulses or if this water tap is closed while the water meter is generating pulses, the coffee-making system will be switched off displaying the message:
ERR +  +  on the display, see § 8.4.
- **Overflow safety device (hot water system)**
As soon as the hot water system becomes overloaded, the water is discharged through the overflow pipe. Therefore the hot water system is switched off, displaying the message:
ERR +  +  on the display, see § 8.4.

Machines and the environment

Packaging material

The main components of the packaging material for transport and protection of the machine are the following:

- Corrugated board
- Polystyrene elements

Generally, the packaging material can be returned through your dealer after installation of the machine. If this is not possible, ask your local authority refuse department how you can dispose of the materials.

Disposal of the machine

Machines that you wish to dispose of can usually after consultation be returned to your dealer. If this is not possible, inquire with your local authority about the possibilities for re-use or environmentally-friendly processing of the materials. All plastic parts have been clearly coded for this purpose. The printed-circuit board in the machine and the components connected to this should be consigned to electrical or electronic refuse.

1. INTRODUCTION

1.1 A quick look at the machine

1.1.1 General description

The B5HW–20HW is a coffee–making machine developed for the professional user which delivers coffee and hot water.

All functions of the machine are fully computer–controlled. For this the machine is standard provided with a programming unit on the hot water column with which **properly trained, authorized users** can change various settings after having entered a safety code (hot water temperature, rate of flow, saving temperature, etc.), can read the counters or can activate and programme the built–in descaling functions. Once programmed and set in conformity with the specific wishes and requirements, the machine can be operated easily with the help of the operating keys and the display on the column.

**TIP**

- The position numbers used in this document refer to the figures in the fold–out.

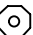

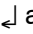
1.1.2 Main components

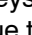
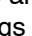
The machine consists of the following main components:


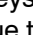
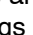
- A. hot water flow column with connecting cable (without plug)
- B. filling opening descaling solution for the coffee–making system
- C. hot water boiler with cover
- D. spray head
- E. filling opening for descaling solution hot water boiler
- F. operating panel
- G. selection key amount 1 / programming key
- H. selection key amount 2 / programming key
- I. selection key amount 3 / programming key
- J. selection key amount 4 / programming key
- K. stop key
- L. activating key HW–system / confirmation key
- M. selection key ↓ for decreasing the set units
- N. selection key ↑ for increasing the set units
- O. display
- P. ON/OFF switch coffee–making and hot water system, with indicator lamp
- Q. socket
- R. hot water discharge tap
- S. overflow pipe (drain)
- T. filter unit consisting of:
 - U. spray cover
 - V. filter cone (optional)
 - W. filter pan
- X. shackle disc with mixer pipe
- Y. coffee container with cable and plug
- Z. gauge glass with gauge glass holder
- AA. ON/OFF switch heating coffee container with indicator lamp
- AB. coffee discharge tap
- AC. tray
- AD. drip–tray


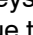
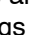
1.1.3 Use of the keys

In the users' menu the keys (G.–J.) are used as selection keys for selecting the required amount of coffee.

In the programming menu these keys are used for selecting a certain setting option. Key (K.) is the stop key. With this a selected function can be stopped and/or interrupted. In the programming menu the stop key is also used for returning to a higher menu. When the symbol  appears in the display, the stop key may be used. In the users' menu the key (L.) is used to activate the hot water system. Above this key a singing teakettle appears in the display . In the programming menu and with the preset time settings (timer) key (L.) functions as the confirmation key. The enter key  appears in the display (O.) when a confirmation is required.

The keys (M.) and (N.) are selection keys used for decreasing or increasing the value to be set. In the programming menu these keys are used to browse through the various settings (programming turret).

The symbol  in the users' menu indicates that preset time settings can be selected. For this press both selection keys (M.) and (N.).

When the symbol  appears in the menu, the setting can be reset by pressing both selection keys (M.) and (N.).

1.2 Brief description of operation

The machine is connected with the mains lead and the separately enclosed water connecting hose (fig.2) to the electricity and water supply systems respectively. The electrically operated tap controls the water supply to the coffee-making system and the hot water system. With the on/off switch (P.) the machine is switched on.

TIP

- The operations described in these instructions for use are illustrated with the help of the B10HW with the standard factory settings.

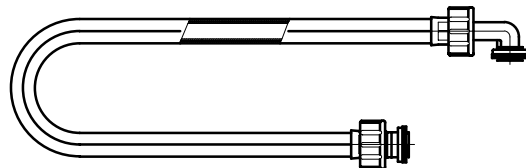


Fig. 2 Water connecting hose

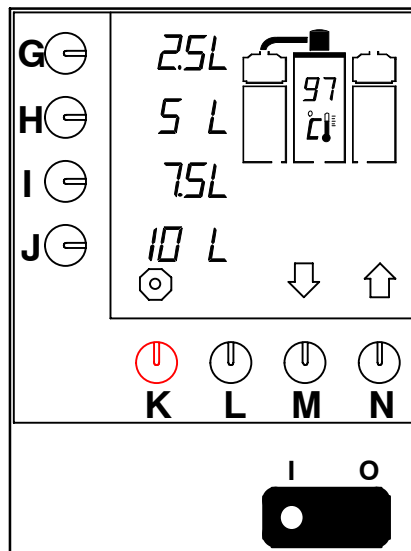


Fig. 3 Operating panel coffee-making and hot water system

1.2.1 Coffee-making system

The machine is provided with a coffee-making system operated through the operating panel (fig.3). After the filter unit fitted with filter cone (if available), paper filter and ground coffee (T.) has been placed on the container, the coffee-making system is switched on with one of the selection keys (G.-J.). The value belonging to the selected selection key is indicated on the display (O.). The coffee making has started.

The water required is heated in a continuous flow system and then poured over the ground coffee in the filter pan via a spray head. Subsequently, the coffee coming from the filter is collected in the coffee container (Y.) indicating the level in the container through the gauge glass (Z.). The heating element mounted in the coffee container keeps the coffee at the right temperature.

With the help of the coffee discharge tap (AB.) the coffee is then tapped.

The coffee-making system has an automatic descaling signal. This is indicated on the display (fig.4). In this way the system can be descaled at the desired time by **properly trained, authorized users.**

The control system makes it possible to keep an accurate record of the amount of water used. These day or total countings can be read through the limited programming menu, § 7.2.

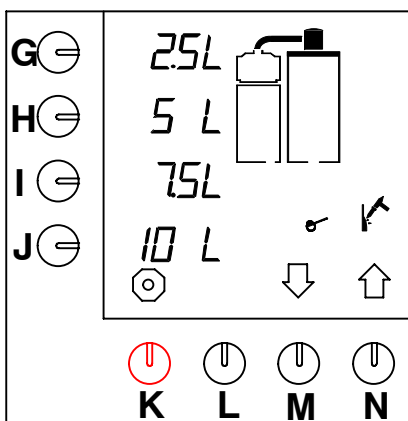


Fig. 4 Display with descaling signal coffee-making system

1.2.2 Hot water system

The machine has a hot water system that is also programmed through the operating panel. After having activated the key for the hot water system (L.) the system is switched on and the display indicates (fig.3) the (rising) water temperature. The hot water boiler (C.) is filled with water up to the maximum level and the water is warmed up by the heating elements in the boiler to the optimum preset temperature (and kept at this temperature), during which the heating elements operate alternatively together or separately. This optimum temperature is by the control programme itself carefully determined and fixed, based on the specific boiling point of the water at the spot. During the installation of the machine it calibrates itself with respect to this boiling point (§ 3.2.2.1).

With the help of the discharge tap (R.) the hot water is then discharged.

The water in the boiler is automatically topped-up through the electrically operated tap, so that the water level in the boiler is maintained as far as possible and over-filling is prevented.

The hot water system is provided with an automatic descaling signal. This is indicated on the display (fig.5). This way the system can be descaled at the desired time by properly trained and authorized users.

The control system makes it possible to keep an accurate record of the amount of water used. These (day or total) counts can be read through the limited programming menu, § 7.2.

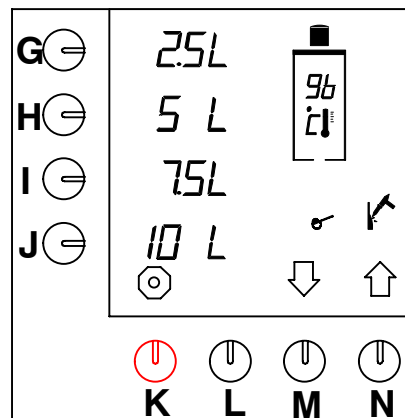


Fig. 5 Display with descaling signal hot water system

2. TECHNICAL DATA

2.1 Dimensions

- See the fold out and table 1 .

Model	A	B	C	D	E	F	G	H	K	L	M	N	P	Q	R	S	T
B5 HW	790	358	799	790	162	32	52	201	234	424	190	369	45	345	430	129	149
B10 HW	911	358	840	989	162	32	80	203	234	485	189	430	45	406	491	129	149
B20 HW	1081	388	947	1173	162	32	80	221	254	570	204	515	60	491	576	129	149
B5 HW L/R	546	358	799	546	162	32	52	201	234	180	189	125	45	345	430	129	149
B10 HW L/R	606	358	840	645	162	32	80	203	234	180	189	125	45	406	491	129	149
B20 HW L/R	695	388	947	739	162	32	80	221	254	180	204	125	60	491	576	129	149

Table 1 Dimensions

2.2 Electrical system

- See the identification plate for the correct values.

Class : 1

Preferred circuit : can be set by the service mechanic with the help of the programming keys

Model	Supply voltage (50/60Hz)	Capacity coffee-making section	Capacity HW-section	Total capacity	Maximum safety	Number of elements in HW-tank
B5 HW	230V	3,00 kW	2,20 kW	* 3,50 kW	16A	2
B5 HW	230V	3,00 kW	2,20 kW	5,70 kW	25A	2
	200V~3 ph	2,80 kW	2,20 kW	5,40 kW	25A	
	230V~3ph	3,00 kW	2,20 kW	5,70 kW	16A	
	400V~3ph +N	3,00 kW	2,20 kW	5,70 kW	10A	
	415V~3ph +N	3,30 kW	2,40 kW	6,20 kW	10A	
	440V~3ph +N	3,70 kW	2,70 kW	6,80 kW	10A	
	230V	3,00 kW	5,50 kW	* 6,00 kW	32A	5
	400V~3ph+N	3,00 kW	5,50 kW	9,00 kW	16A	
	415V~3ph+N	3,30 kW	7,00 kW	9,80 kW	16A	
440V~3ph+N	3,70 kW	6,60 kW	10,70 kW	16A		
B10 HW	230V	6,00 kW	2,20 kW	* 7,00 kW	32A	2
	200V~3ph	5,50 kW	2,20 kW	8,50 kW	25A	
	230V~3ph	6,00 kW	2,20 kW	9,20 kW	25A	
	400V~3ph+N	6,00 kW	2,20 kW	9,20 kW	15A	
	415V~3ph+N	6,60 kW	2,40 kW	9,90 kW	16A	
	440V~3ph+N	7,40 kW	2,70 kW	11,00 kW	16A	
	230V	6,00 kW	5,50 kW	* 7,00 kW	32A	5
	400V~3ph+N	6,00 kW	5,50 kW	12,50 kW	25A	
	415V~3ph+N	6,60 kW	6,00 kW	13,50 kW	25A	
440V~3ph+N	7,40 kW	6,60 kW	14,90 kW	25A		
B20 HW	200V~3ph	7,50 kW	2,20 kW	11,00 kW	32A	2
	230V~3ph	9,00 kW	2,20 kW	12,70 kW	32A	
	400V~3ph+N	9,00 kW	2,20 kW	12,70 kW	25A	
	415V~3ph+N	9,90 kW	2,40 kW	13,80 kW	25A	
	440V~3ph+N	11,00 kW	2,70 kW	15,20 kW	25A	5
	400V~3ph+N	9,00 kW	5,50 kW	16,00 kW	25A	
	415V~3ph+N	9,90 kW	6,00 kW	17,30 kW	25A	
	440V~3ph+N	11,00 kW	6,60 kW	19,20 kW	25A	

Table 2 Electrical values

* Total capacity with preferred circuit coffee-making section

2.3 Water system

Water hardness	: min. 5 °dH (0,9 mmol/l)
Min. water pressure (supply)	: 50 kPa (0,5 bar)
Max. water pressure (supply)	: 1000 kPa (10 bar)
Flow-rate	: 5,5 l/min
Conductivity	: $\geq 100 \mu$ Siemens/cm

Model	Number of elements in HW-tank	Volume hot water tank	Buffer capacity hot water	Hour capacity hot water
B5 HW	2	5,0 l	2,2 l	ca. 22 l
	5			ca. 55 l
B10 HW	2	5,7 l	2,9 l	ca. 22 l
	5			ca. 55 l
B20 HW	2	7,0 l	4,2 l	ca. 22 l
	5			ca. 55 l

Table 3 Water values B HW

2.4 Environmental conditions

In view of danger of freezing the machine may never be placed in rooms where the temperature can fall below 0°C.

With a maximum allowed environmental temperature of 40°C a good operation of the machine is guaranteed.

2.5 Recommended cleaning and descaling materials

Cleaning material	: CLEANER
Descaler	: RENEGITE



CAUTION!

- Before use first read the instructions on the packing.

See chapter 9. for ordering cleaner and descaler.

2.6 Recommended coffee and filter paper

For this machine the use of normal grind is recommended. Use the amount of ground coffee indicated at the coffee calculator (§ 4.1.4 / 7.3.11) dependent on your preference.

Exclusively use the provided Bravilor Bonamat® filter paper or filter paper of the same quality. See chapter 9. for ordering consumable goods.

3. INSTALLATION

3.1 Unpacking

**TIP**

- The operations described in these instructions for use are illustrated with the help of the B10HW with the default factory settings.
- Check whether the machine is complete. The standard machine consists of a column with spray head, two containers with filter unit and a plateau or wall support. All kinds of variations on this are possible.
For the standard machine the content of the packages consists of:

Box 1:

- 1 coffee container with cover
- 1 shackle disc

Box 2:

- 1 filter unit, consisting of: filter pan, filter cone (optional) and spray cover
- 1 mixer pipe
- 1 bag of filter paper

Box 3:

- 1 column B5HW, B10HW or B20HW
- 1 water connection hose
- This manual
- 1 sachet of CLEANER
- 1 sachet of RENEGITE, descaler
- 1 funnel
- 1 sight glass brush
- 1 washing-up brush

Box 4 (only with plateau model):

- 1 plateau
- 1 spray head
- 1 drip-tray
- Fixation material and assembly drawing

Box 5 (only with wall model):

- 1 wall support
- 1 spray head
- Fixation material and assembly drawing
- Please contact your dealer if components are missing or damaged.

3.2 Installation



CAUTION!

- Do not overlook the risk of freezing. Never place the machine in rooms in which the temperature can drop below 0°C.
- Never install the machine in front of entrances, exits or passageways intended for emergency services.
- Place the machine on a flat, sufficiently solid surface close to a water connection and an earthed electrical power outlet. Leave sufficient space at the back and front of the machine for maintenance and repair purposes.

3.2.1 Connection to the water and electrical system

- Connect the machine to a readily accessible manually operated tap, so that the water supply can easily be turned off.



WARNING

- △ Power supply voltages vary from one country to another. Ensure that the machine is suitable for connecting to the local power supply. Details on the required supply voltage and frequency can be found on the identification plate.
- Connect the machine to the electrical supply in such a way that the power can easily be disconnected.
- Ensure that the machine is correctly earthed.
- Never connect the machine to a power supply where heavy loads resulting from switching on other machines may cause variations in voltage.

3.2.2 Initial use



TIP

- With initial use the machine makes use of the default factory settings. These settings can, if desired, later be changed **by properly trained authorised users** (§ 7.3).
- With initial use the coffee-making and hot water system is exclusively flushed with water; no coffee is made.

3.2.2.1 Activating and flushing the HW system

WARNING

- △ While going through the "Automatic Boiling Point Determination Programme" steam comes out of the hot water cover (C.). Do not touch the cover during this programme at the risk of burning.



- Switch the ON/OFF switch (P.) on.
 - The indicator lamp in the switch lights up.

The boiler is filled and the "Automatic Boiling Point Determination Programme" (duration: about 30 minutes) is activated. This calibration programme determines the boiling point of water at the place where the machine is actually used. The boiling point partly depends on the local atmospheric pressure and at sea level this will be approximately 100 °C, whereas at a height of 2,000 m the boiling point will be as low as about 97 °C. This boiling point will be given on the display (fig. 6). The system will itself determine the optimum temperature based on the measured boiling point; this is always approximately 4°C below the boiling point. The water temperature will be displayed after pressing the activating key (L.).

TIP

- Pour hot water (ca. 70 °C) into the kettle till maximal 6,5 cm under the rim of the kettle. This will shorten the time of the automatic boiling point determination programme till about 15 minutes.
- Press the activating key (L.) for the hot water system.
 - Figure 6 appears on the display.
- Tap through the hot water tap (R.) about 2 litres of water.



The hot water system is now ready for use (§ 4.).

TIP

- **Only if the maximum water temperature (97 °C, at sea level) has been set** (§ 7.3.6.1) every 10 minutes the water in the boiler will be warmed up with about 2 °C *extra* in order to get a better hot-water quality (in particular for making tea). We call this automatic boiling point approach. Due to this it may happen that during daily use sometimes the boiling point is reached, causing steam to escape from the hot-water cover (C.).



- If the water temperature has been set below the maximum (97 °C, at sea level) (§ 7.3.6.1) the above no longer applies.

WARNING

△ Do not touch the cover during the automatic boiling point approach at the risk of burning.

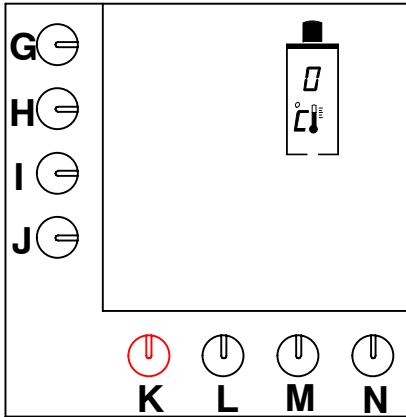


Fig. 6 Activating the HW system

3.2.2.2 Flushing the coffee-making system

- Place the filter unit (T.) on the coffee container (Y.).
- Turn the spray head (D.) above the hole in the cover (U.) of the filter unit (T.).
- Switch the ON/OFF switch (P.) on.
 - The indicator lamp in the switch lights up. The default options appear in the display (fig. 7).
- Push the selection key for amount 2 (H.).
 - A signal sounds. The coffee-making process is started. The selected amount flashes in the display.



As soon as the hot water supply through the spray head has stopped, the filter pan in the display starts flashing. This means that the dripping-on time has started. (Only when the dripping-on time is set). The dripping-on time is standard set to 2 minutes. After the dripping-on time has terminated, a signal sounds (3 short beeps) indicating that the coffee-making process has finished.

- Tap the water through the coffee tap (AB.).
- Turn the spray head above the filter unit of the other container.
- Repeat the above steps for the other coffee container.

After that the coffee-making system is ready for use (chapter 4.)

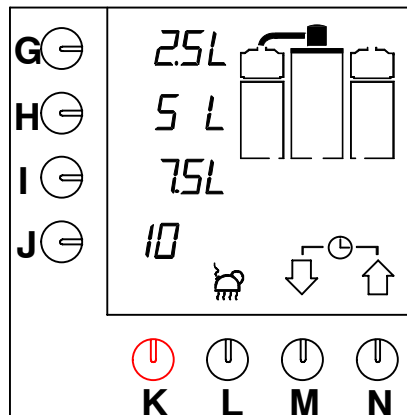


Fig. 7 Display with the default options

4. DAILY USE

While the machine is in use, the factory default settings may appear to be incorrect or insufficient for the circumstances under which the machine is used. These settings can be changed – **by properly trained and authorized users** – in conformity with the instructions in § 7.3.

The present chapter (4.) only describes therefore the normal, daily use of the machine by users with limited authority: making and tapping coffee. Maintenance activities for the daily user are described in § 5.1. Periodic maintenance activities for users with limited authority are described in § 5.2.

4.1 Operation



CAUTION!

- Inspect the machine before use and check for damages.
- Protect the machine against water and moisture. Do not allow the machine to become wet by spraying and never submerge it in water.
- Keep the operating controls free from dirt and grease.
- Never use sharp objects to operate the push buttons.
- Note that during use some parts of the machine become very hot.
- When the machine is not to be used for a long period, disconnect it from the electrical supply and shut off the water supply.

4.1.1 Making coffee

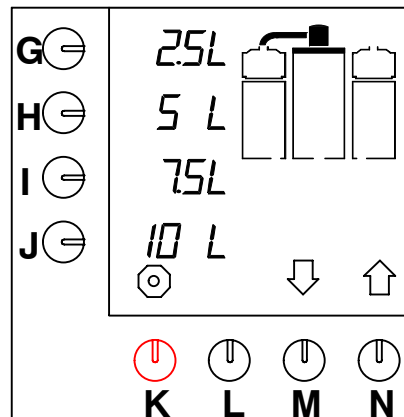


Fig. 8 Starting screen

- Switch the ON/OFF switch (P.) to ON.
 - The indicator lamp in the switch lights up. The default options appear in the display (fig.8).
- Check whether the coffee container (Y.) is empty. Discharge this, if necessary, through the coffee tap (AB.).
- Place the filter paper in the filter cone (V.) (if available) or in the filterpan (W) and add the required amount of ground coffee. For the recommended ground filter coffee and filter paper (quality and quantity), see § 2.6).
- Place the spray cover (U.) on the filter pan (W.).
- Place the shackle disc with mixer pipe (X.) and the filter unit (T.) on the coffee container.
- Select the desired amount of coffee by pressing one of the selection keys (G.–J.).
 - The selected amount flashes on the display.

TIP

- If the selection keys do not include the desired amount, then with the help of key (M.)↓ or (N.)↑ another amount can be selected. Subsequently press selection key (J.). A signal sounds and the coffee–making process has started.
- Make sure that the container and the spray head are in the right position.
 - If not, the part concerned starts flashing on the display and the coffee making is blocked.
- Put the part in the right position and the blockade is lifted.



- A signal sounds for confirmation.
- As soon as the coffee container has been filled, the filter pan flashes on the display for the dripping-on time (fig.9).
- After the dripping-on time a signal sounds (3 short beeps) indicating that the filter pan can be removed.
- Place the cover on the container.
- The coffee can now be tapped.

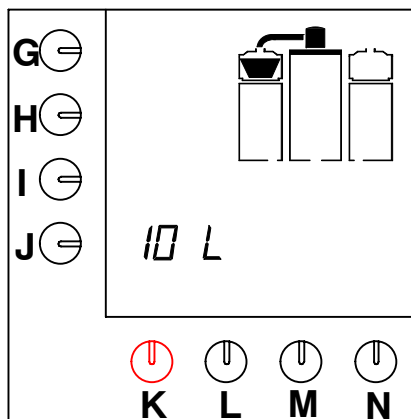


Fig. 9 Dripping-on time



TIP

- During the coffee-making process the filter unit of the other coffee container can directly be made ready for a next coffee-making cycle.
 - Wait until the coffee-making cycle for the first container has been finished.
 - When the dripping-on time starts, the spray head can be placed in the right position above the other filter unit.
 - Repeat the above procedure for making coffee.
- The coffee-making process can at all times be stopped by pressing the STOP key (K.). After this the coffee can be tapped or an amount can be selected again. In the second case keep in mind that there is already coffee in the container.

4.1.2 Tapping the coffee

- Place a cup or jug under the coffee tap (AB.) and pull the handle forward.

TIP

- The tap can be locked in the open position by pushing it fully backwards against the spring pressure.



4.1.3 Pre-programmed settings

- Making coffee at pre-programmed times is possible (§ 7.1.1 and § 7.3.8).

4.1.4 Coffee calculator

By simultaneously pressing the stop key (K.) and one of the pre-selection keys (G.-J.) it can be read how many grams of ground coffee must be used for the selected number of litres of coffee (or other programmed unit). Also when for once another number of litres is set, the programme calculates the required amount of ground coffee.

4.1.5 Starting the hot water system

- Switch the ON/OFF switch (P.) to ON.
 - The indicator lamp lights up. The default options appear in the display (fig.9).
- Press the activating key (L.) for the hot water system.
 - The boiler is now filled with water and heated up to the set temperature. The flashing display (O.) shows the actual rising water temperature.
- Tap the water as soon as the set water temperature has been reached.



TIP

- The hot water system can be stopped by pressing the activating key (L.) again. The temperature disappears from the display and the boiler is no longer filled or heated up.
- **Only if the maximum water temperature has been set** (§ 7.3.6.1) every 10 minutes the hot water in the boiler is heated with about 2°C extra in order to get a better hot water quality (in particular for making tea). This can prevent that during daily use the boiling point is reached causing steam to come out of the hot water cover (C.).
- If the water temperature has been set beneath the maximum (§ 7.3.6.1), the above no longer applies.



WARNING

- △ Do not touch the cover during the automatic boiling point approach at the risk of burning.

4.1.6 Tapping hot water

- Place a jug or pump thermos under the hot water tap (R.) and pull the handle forward.

TIP

- The tap can be locked in the open position by pushing it fully backwards against the spring pressure.



5. MAINTENANCE

This chapter describes the following maintenance activities:

- maintenance activities that may be carried out by the daily user (§ 5.1)
- maintenance activities reserved to users with limited and extended authority (§ 5.2)

5.1 Maintenance activities that may be carried out by the daily user

5.1.1 General cleaning

- Clean the outside of the machine with a damp cloth (if necessary, use a non-aggressive cleaning material). The taps and the drip tray require extra attention.



WARNING

△ Do not allow the machine to become wet by spraying and never submerge the machine in water.

5.1.2 Daily cleaning of the coffee-making system

- Rinse the coffee container (Y.) with clean hot water:
 - Make sure that the coffee container (Y.) is completely empty.
 - Place an empty filter unit (T.) on the coffee container.
 - Press the key for amount 2 (H.). The container is filled with hot water.
 - Remove the filter unit after the coffee-making process has been finished.
 - Clean the inside of the container using a washing-up brush.
 - After this totally discharge the coffee container through the coffee tap (AB.).
- Wash up the filter pan (W.), the shackle disc with mixer pipe (X.), the filter cone (V.), the spray cover (U.) and the drip tray (AD.) thoroughly and rinse them clean.
- Repeat the above procedure for the other coffee container with filter unit.

After this the machine is ready for use again.

TIP

- Persistent coffee deposit can be removed with a strong cleaning agent. For this we recommend the trusty cleaning agent CLEANER.
- Dependent on the intensity of use, it may be necessary to daily clean the machine with CLEANER. The proper cleaning frequency is determined by experience.



CAUTION!

- Before using the cleaning agent, read the instructions on the package.
- Wear suitable facial protection and protective gloves when using the cleaning agent.



5.1.3 Weekly cleaning of the coffee-making system

Carry out the cleaning procedure (§ 5.1.2) using CLEANER.

- Sprinkle the CLEANER in the filter pan (W.). Use about 5 g of CLEANER per litre water.
- Rinse the container after the cleaning procedure with hot water by pressing the key for amount 2 (H.).
- After the coffee-making process has been finished completely discharge the coffee container through the coffee tap (AB.).

After this the machine is ready for use again.

5.1.3.1 Cleaning the gauge glass

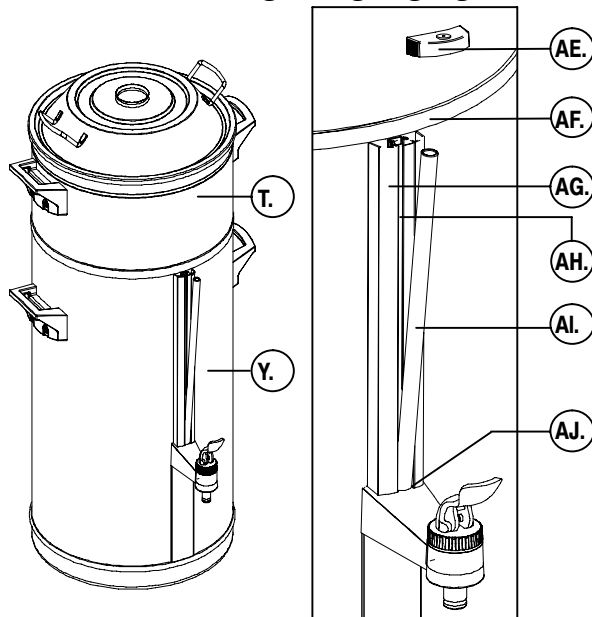


Fig. 10 Placing the sight glass cover

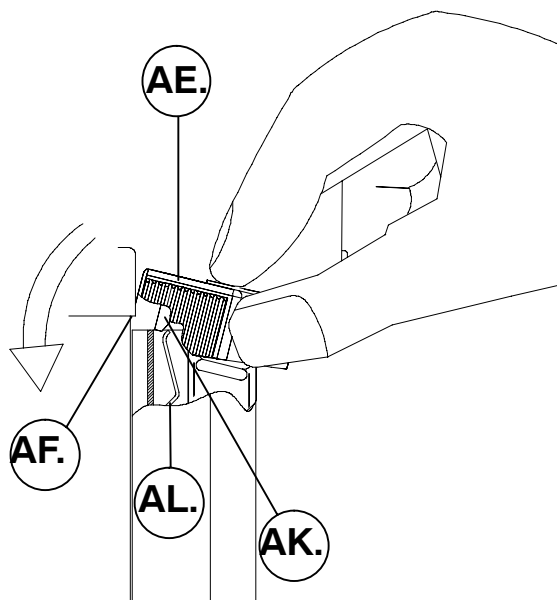


Fig. 11 Placing and removing the gauge glass cover

- AE. cover
- AF. container edge
- AG. the sight glass holder
- AH. notch
- AL. gauge glass
- AJ. o-ring
- AK. tab
- AL. spring

WARNING

△ If the coffee container (Y.) is not completely empty, during removal of the gauge glass (Al.) hot water or coffee can flow over the hands.

- Clean the gauge glass (fig.10):
 - Make sure that the coffee container (Y.) is completely empty.
 - Take the filter unit (T.) off the coffee container (Y.).
 - Remove the cover (AE.) of the gauge glass holder (AG.) by pulling this forward and upward between thumb and forefinger. Hold the gauge glass with the other hand.
 - Put the forefinger on top of the gauge glass (AE.) and move the glass a little bit forward.
 - The gauge glass (Al.) is clamped with an O-ring (AJ.) at the bottom of the gauge glass holder (AG.). Therefore take the gauge glass between thumb and forefinger and carefully pull it upward while turning it to and fro.
 - Clean the gauge glass and the notch (AH.) in the gauge glass holder (AG.) with the supplied sight glass brush.
 - Moisten the bottom side of the gauge glass a little. Carefully push the gauge glass back into the notch (AH.) and O-ring (AJ.) of the sight glass holder.
 - Place the cover (AE.) back onto the gauge glass holder (AG.). For this hold the cover between thumb and forefinger and place it at an angle against the container wall. Press with the forefinger the cover on the gauge glass holder in such a way that the cover falls under the container edge (AF.). Make sure that the tab (AK.) of the cover falls behind the spring (AL.) of the gauge glass holder.
 - Place the filter unit (T.) back onto the coffee container (Y.).

TIP

- Make sure that the tab (AK.) of the cover falls behind the spring (AL.) of the gauge glass holder.
- The hot water system (C.) does not require daily maintenance.

CAUTION!

- The other maintenance activities (§ 5.2) are reserved to users with extended authority.



GB



5.2 Maintenance activities for users with limited and extended authority

5.2.1 Descaling the coffee-making system

- *Users with limited authority* can, after having entered the operator PIN code, start the descaling programme.
- Also *users with extended authority* can start the descaling programme after having entered the principal user PIN code.



WARNING

△ Wear appropriate facial protection and protective gloves when using the descaling agent.

Half-yearly

(or more frequently if the descaling indication indicates so).

- Descal the coffee-making system with RENEGITE. See § 7.2.3 for the descaling procedure.

5.2.2 Descaling the hot water system

- *Users with limited authority* can, after having entered the operator PIN code, start the descaling programme.
- Also *users with extended authority* can start the descaling programme after having entered the principal user PIN code.

WARNING

△ Wear appropriate facial protection and protective gloves when using the descaling agent.

Half-yearly

(or more frequently if the descaling indication indicates so).

- Descal the hot water system with RENEGITE. See § 7.2.4 for the descaling procedure.



6. PROGRAMMING CAROUSEL



CAUTION!

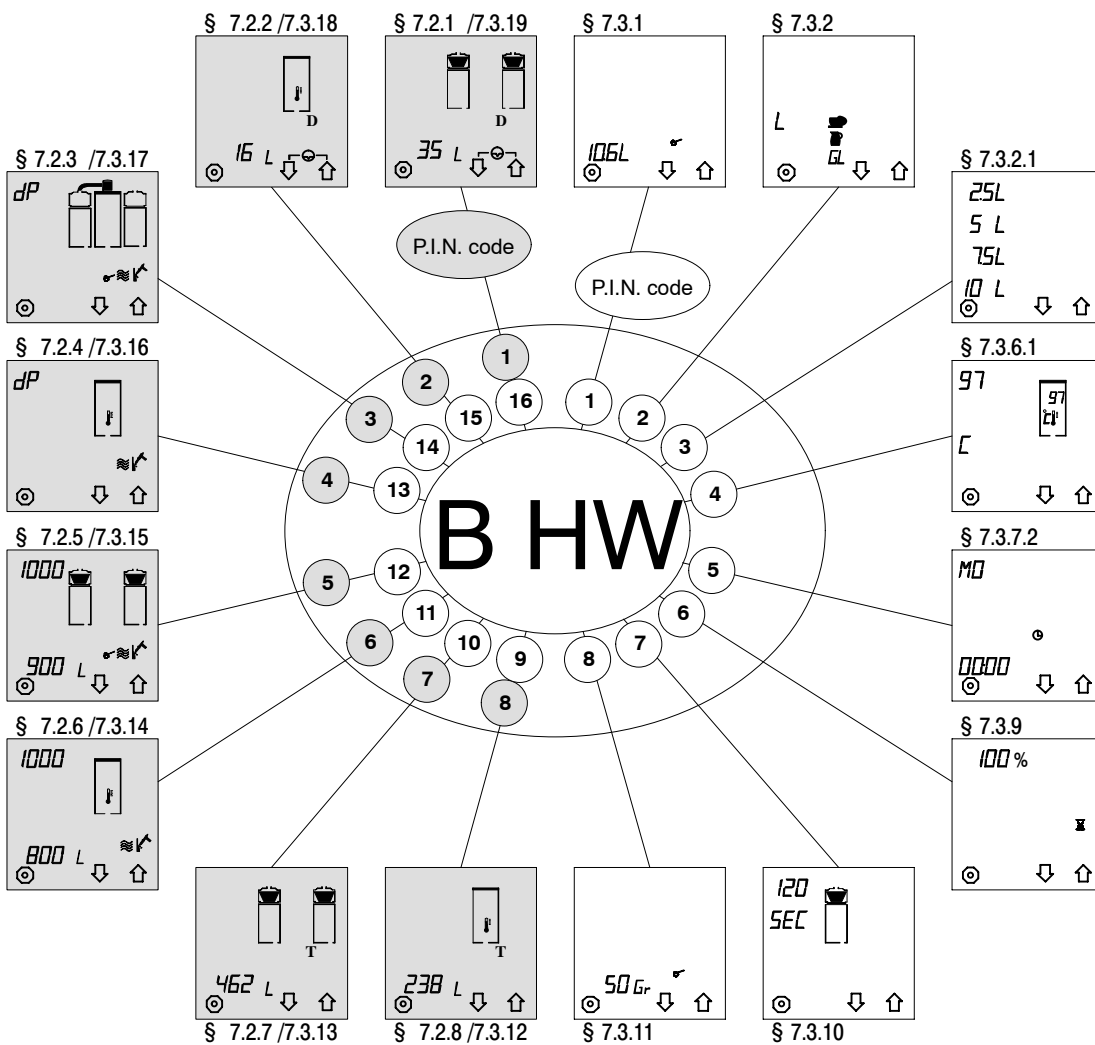
- The programming keys are particularly operated by properly trained authorized users.



TIP

- All settings can be read from the display.
- By pressing the up arrow key (N.)↑, you can clockwise browse through the programming carousel.

- By pressing the down arrow key (M.)↓, you can counter-clockwise browse through the programming carousel.
- Some display texts include numerical values; these refer to the factory default settings or to arbitrary quantities that may differ from the values displayed on your machine.



- Carousel of the limited programming menu, protected by a operator PIN code
- Carousel of the extended programming menu, protected with a principal user PIN code

Fig. 12 Carousel of the programming menu

7. PROGRAMMING

This chapter describes the different programming options and reading of the counter device. The programming can be divided into three parts, being:

- **the users' menu § 7.1;**
here any user can retrieve default pre-programmed settings and change these once-only if necessary. After the coffee has been made the setting returns to the default setting.
- **the limited programming menu § 7.2;**
here a description is given of how operators with limited authority can read the day and total counters with the help of a PIN code and set and start the descaling programme.
- **the extended programming menu § 7.3;**
here a description is given of how properly trained operators with extended authority (chief) can change all settings with a special PIN code.
- Pincodes: see fold out sheet at the back of these operating instructions

7.1 The users' menu



TIP

- No PIN code is needed for the settings in the users' menu.
- In the display the value to be changed is indicated by flashing.
- When an enter symbol ↵ appears in the display, the setting can be confirmed by pressing the confirmation key (L.).
- With the red stop key (K.) the setting can always be interrupted and stopped. The setting returns to the default setting.
- Make sure that a filter cone (V.) (if available) and coffee filter with the desired amount of coffee in the filter unit (T.) have been fitted and that the spray head (D.) is placed above that in the proper position.
- A signal sounds when the container or the spray head are not in the right position.

7.1.1 Pre-programmed time settings for making coffee (timer)

In the extended programming menu § 7.3.8 it is possible to programme 14 pre-programmed "time settings" for each day of the week. When "time settings" have been programmed, these are shown in the users' menu. These "time settings" are numbered 1 - 4.

After having confirmed a time setting, the machine will start making coffee at the set time. When before programming also the HW system activating key (L.) is pressed, the hot water system is activated simultaneously with the coffee-making system.

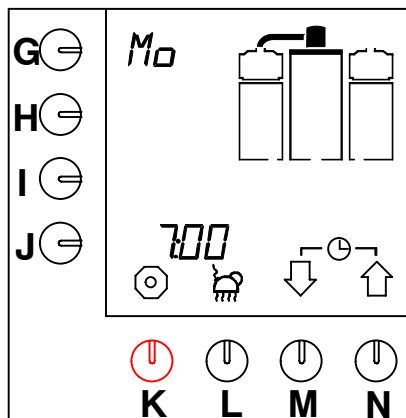


Fig. 13 Example current day and time

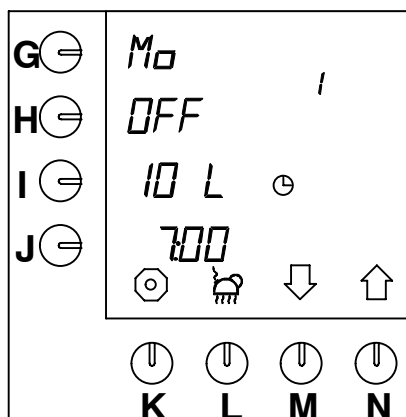


Fig. 14 Default pre-programmed setting

The selection is made as follows:

- Press keys (M.)↓ and (N.)↑ simultaneously and hold them down.
 - The current day and time appear for a moment on the display (fig.13).
 - Subsequently, the next pre-programmed time setting appears on the display (fig.14).



TIP

- When in the extended programming menu, § 7.3.8, no time settings have been programmed, the current day and time remain visible on the display.
- Press key (M.)↓ and (N.)↑ to select another pre-programmed setting if necessary.
- The default setting is OFF. If the set values are good, then press key (H.), OFF is changed into ON.
 - An enter symbol appears ↵ on the display. The clock in the display starts flashing and the system will make coffee at the set time. The waiting mode appears on the display (fig.15).
- Now press the confirmation key (L.) to confirm.
 - The clock in the display starts flashing and the system will make coffee at the set time. The waiting mode appears on the display (fig.15).



TIP

- If the settings are not good, they can be changed once-only (§ 7.1.2).
- In the waiting mode the current day and time can be viewed. Press the selection keys (M.)↓ and (N.)↑ simultaneously and hold them down for about 2 seconds.
- The current day and time appear on the display (fig.13).

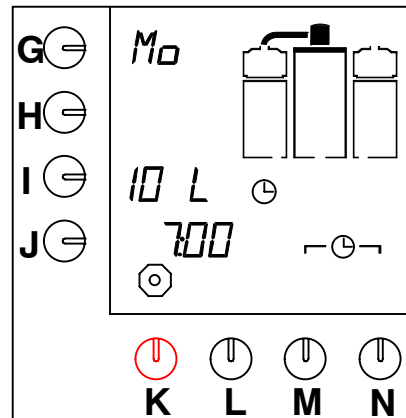


Fig. 15 Waiting mode timer

TIP

- The selected time setting has been protected against termination between times. However, the setting can be cancelled. This can be done as follows:
 - Press stop key (K.) and keep it down for about 5 seconds.
 - The protection is cancelled now.
- Coffee can be made again in the normal way.



7.1.2 Once-only time settings for making coffee

These pre-programmed "time settings" can be changed for once-only use.

This is done as follows:

- Press selection keys (M.)↓ and (N.)↑ simultaneously and hold them down for about 2 seconds.
 - The current day and time appear for a moment on the display (fig.13).
 - After this the next time setting appears on the display (fig.14).
- Press programming key (G.).
 - The position to be changed flashes beside the programming key on the display.
- Press selection key (M.)↓ and (N.)↑ to select another day, if necessary (§ 7.3.7.2, table 10).
- Confirm this by pressing the confirmation key (L.).
 - The desired day has been set now.
- Press programming key (I.) to change the number of litres.
- Press selection key (M.)↓ and (N.)↑ to select another amount, if necessary.
- Confirm this by pressing the confirmation key (L.).
 - The desired amount has been set now.
- Now press the programming key (J.) to set the time.
 - The two first positions beside the programming key are flashing.

- Select with selection key (M.)↓ and (N.)↑ the desired hour.
- Press again the programming key (J.) to set the minutes.
 - The two last positions beside the programming key are flashing.
- Select with selection key (M.)↓ and (N.)↑ the minutes.
- Press the confirmation key (L.).
 - The desired time has been set now.
- If these settings are good, then press programming key (H.).
 - OFF will be changed to ON.
- Now press the confirmation key (L.).
 - The clock in the display starts flashing and the system will make coffee at the set time.
 - When the coffee-making cycle has been finished, the setting returns to the default setting.

TIP

- When the container and/of the spray head are not in the correct position, a signal sounds and flashes on the display.
- Also this selected time setting has been protected, so that no one can cancel the setting between times, see the previous tip at § 7.1.1.
- Permanent changing of the default settings is described in the extended programming mode § 7.3.



7.2 The limited programming menu

Below a description is given of how *operators with limited authority*, after having entered the operators' PIN code, can read day and total counters, put these to zero and start the descaling programme.



TIP

- For the limited programming menu a operators' PIN code is required, see the fold out sheet at the back of these operating instructions.
- Enter the operators' PIN code. The programme starts in the carousel (fig. 12) of the operators' menu at § 7.2.1, "**Day counter coffee-making system**".
- When a wrong PIN code has been entered, wait a little while until the initial screen re-appears on the display. Re-enter the PIN code.
- Press the selection key (N.)↑ to go clockwise to the next setting (§ 7.2.8), see also fig. 12 .
- Press the selection key (M.)↓ to counter-clockwise to the next setting (§ 7.2.2). By pressing a selection key several times, the entire carousel (fig. 12) can be gone through.
- The settings are described in the order of the carousel, **counter**-clockwise (fig. 12).
- With the red stop key (K.) the programming can always be interrupted and stopped. The programme then returns to the users' menu (§ 7.1).
- When nothing happens in the programming menu for 20 seconds, the programme returns to the users' menu (§ 7.1). Non-confirmed settings are not saved.
- When the symbol $\leftarrow \ominus \rightarrow$ appears in the menu, the setting can be set to zero by simultaneously pressing both selection keys (M.)↓ and (N.)↑.
- The day and total counters only give the amounts in **litres**. Even if the amount at § 7.3.1 has been set in cups, jugs or us-gallons.

7.2.1 Day counter coffee-making system

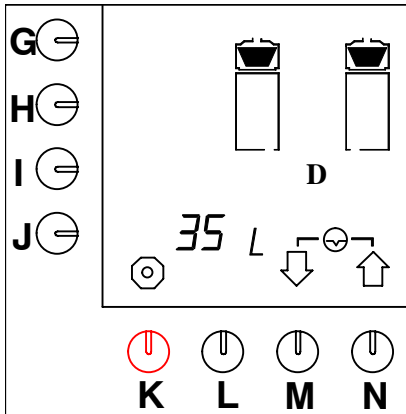


Fig. 16 Day counter coffee-making system

After entering the operators' PIN code fig. 16 appears in the display. The total number of litres that have been made that day can be read from the display.

- Press the selection keys (M.)↓ and (N.)↑ simultaneously to set the day counter to zero.
- Press selection key (M.)↓ to go the next setting or stop key (K.) to leave the programming menu.

7.2.2 Day counter hot water system

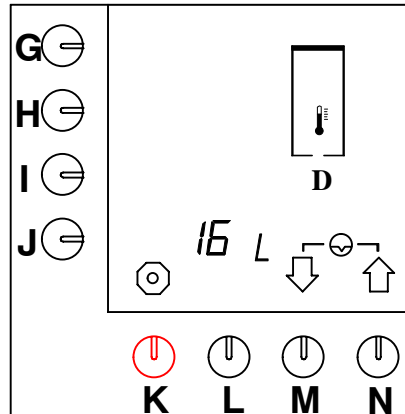


Fig. 17 Day counter hot water system

- Press, after having entered the operators' PIN code, selection key (M.)↓.
 - Fig. 17 appears on the display.
 - The total number of litres that has been made this day can be read from the display.
- Press the selection keys (M.)↓ and (N.)↑ simultaneously to set the day counter to zero.
- Press selection key (M.)↓ to go the next setting or stop key (K.) to leave the programming menu.

7.2.3 Starting descaling programme coffee-making system

- Make sure that the spray head is in the correct position above the *empty* container with *empty* filter unit.
- Desolve 100 g of descaler in 0.75 litre lukewarm water (about 40°C). Stir the descaling solution, so that it is well desolved.
- When during the descaling programme a signal sounds, an operation is to be carried out. Finish the operation by pressing the confirmation key (L.).
- When the level blocks on the display start flashing, the coffee container is to be emptied.

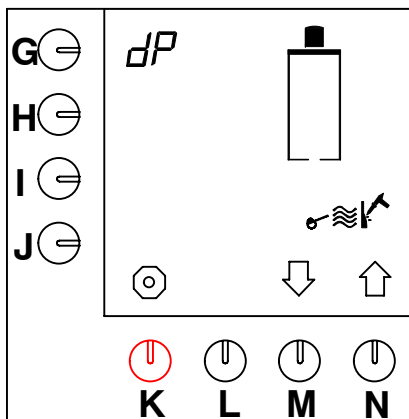


Fig. 18 Starting the descaling programme coffee-making system

- After having entered the operators' PIN code, press selection key (M.)↓ twice.
 - The descaling programme appears on the display (fig. 18).
- Press programming key (G.).
 - The symbol **dP** starts flashing and the enter symbol ↵ appears on the display.
- Press confirmation key (L.) to start the descaling programme.
 - A flashing hammer symbol appears on the display.
 - The waterreservoir is boiled empty and this water flows into the coffee container.
 - A signal sounds and the level blocks on the display flash, indicating that the container must be emptied.

TIP

- **Stopping the programme**
Within 5 seconds (when the stop symbol Ⓞ above key (K.) still flashes):
 - press key (K.).
- After 5 seconds (when the stop symbol key above key (K.) has stopped flashing):
 - Hold programming key (G.) down until fig. 18 re-appears on the display.
- **After** pouring in the descaler solution, the programme can **not** longer be aborted by pressing the red stop key.



GB

- Empty the coffee container through the tap (AB.).
- Press the confirmation key (L.) to confirm that the container is empty.
 - A signal sounds, the hammer symbol flashes and a funnel appears on the display (fig. 19).

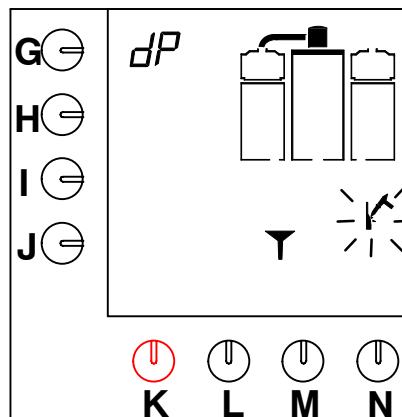


Fig. 19 Coffee-making system asks for descaling solution

- Remove the plug of the filling hole for descaler solution (B.).
 - The filling hole of the coffee-making system is found behind the spray head (D.).
- Place the special funnel in the filling hole and carefully pour the descaler solution into the filling hole.
- After pouring in the descaler solution, press the confirmation key (L.).
 - The resevoir is boiled empty to let the descaler solution run through the flow element.
 - The first level block appears on the display and the hammer symbol flashes (fig. 20).
 - The coffee container is filled with water.
 - When the signal sounds and the level blocks on the display flash, the containers must be emptied.

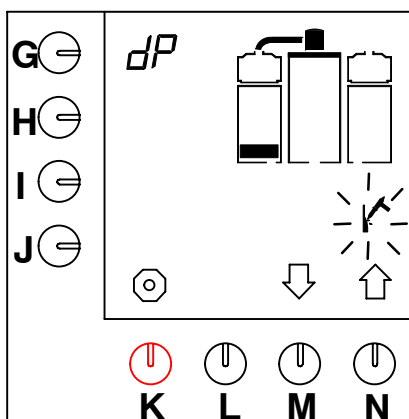


Fig. 20 First level descaling programme coffee-making system

- Empty the container through the coffee tap.
- Press the confirmation key (L.) to confirm that the container is empty.
 - A sandglass appears on the display for a waiting time of 5 minutes to let the renegite do its job.
 - Also the second level block appears on the display and the hammer symbol flashes.
- After the waiting time the coffee container is filled.
 - When the signal sounds and the level blocks on the display flash, the containers must be emptied.
- Empty the container through the coffee tap.
- After this, press the confirmation key (L.) to confirm that the container is empty.
 - The third level block appears on the display and the hammer symbol flashes.
 - The coffee container is filled again.
 - When the signal sounds and the level blocks on the display flash, the containers must be emptied.
- Empty the container through the coffee tap.
- After this, press the confirmation key (L.) to confirm that the container is empty.
 - The fourth level block appears on the display.
 - The coffee container is filled for the last time.
 - When the signal sounds and the blocks on the display flash, the container must be emptied for the last time.
- After this, press the confirmation key (L.) to confirm that the container is empty.
 - The counter appears on the display and is automatically set to zero.
 - Subsequently, the programme returns to the users' menu (§ 7.1).

7.2.4 Starting descaling programme hot water system



TIP

- Solve 100 g of descaler in 1 litre lukewarm water (about 40°C). Stir the descaling solution, so that the agent is solved well.
- When during the descaling programme a signal sounds, an operation is to be carried out. Finish the operation by pressing the confirmation key (L.).
- The hot water boiler must now be emptied through the hot water tap (R.).
 - When the level blocks flash on the display, the hot water boiler must be discharged through the tap (R.).



WARNING

△ During the descaling procedure the overflow pipe (S.) must be pulled up now and again. Wear protecting gloves against the hot steam coming from the boiler. The overflow pipe (S.) is also hot and therefore it has been provided with a short hose. Pull up the pipe by the short hose.

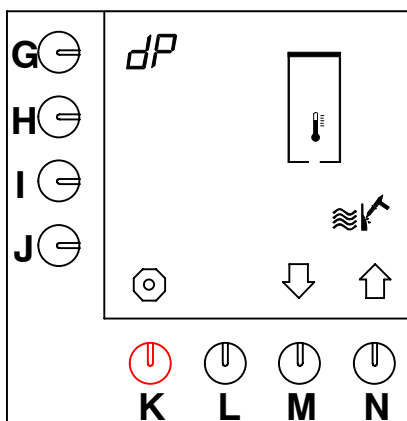
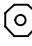


Fig. 21 Starting the descaling programme hot water system

- After having entered the operators' PIN code press 3 times the selection key (M.) ↓.
 - The descaling programme appears on the display (fig. 21).
- Press programming key (G.).
 - The symbol **dP** starts flashing and the enter symbol ↵ appears on the display.

- Press the confirmation key (L.) to start the descaling programme.
 - The display shows flashing hammer symbol, the stop symbol and the level blocks.
 - A signal sounds as well.

TIP

- **Stopping the programme**
 Within 5 seconds (while the stop symbol  above key (K.) is still flashing):
 - press key (K.).
- After 5 seconds (when the stop symbol above key (K.) has stopped flashing): hold down
 - Hold down programming key (G.) until fig. 21 re-appears on the display.
- **After** pouring in the descaler solution, the programme can **not** longer be stopped by pressing the red stop key!

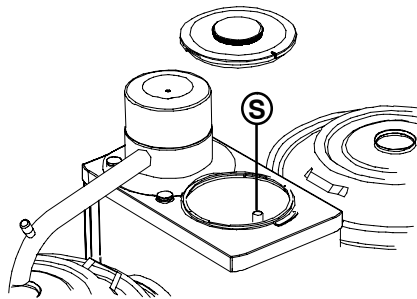


Fig. 22 Overflow pipe hot water system

- Press the confirmation key (L.) to confirm that the boiler is empty.
- Discharge the last bit of water through the overflow pipe. For this, pull the overflow pipe (S.), that is found in the hot water boiler, up by the short hose (fig. 22).

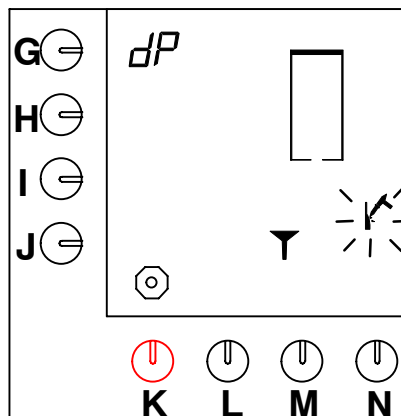


Fig. 23 Hot water system asks for descaler

- A signal sounds, the hammer symbol flashes and a funnel appears on the display (fig. 23).

- Remove the plug from the filling opening for the descaler solution (E.).
 - The filling opening of the hot water boiler (E.) is found before the spray head (D.) .
- Place the supplied funnel in the filling opening and carefully pour the descaler solution into the opening.
- Press, after having poured in the descaler solution, the confirmation key (L.).
 - The first level block appears on the display and the hammer symbol flashes (fig. 24) .
 - The hot water boiler is filled with water and warmed up. This takes some time.

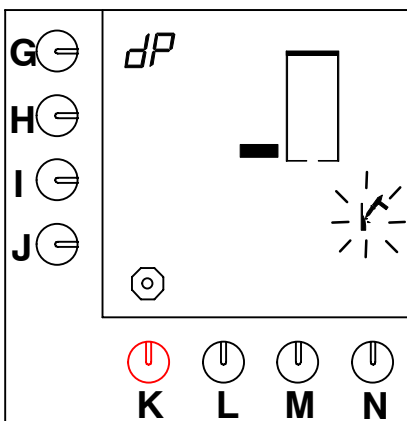


Fig. 24 First level descaling programme hot water system



TIP

- Pour yourself hot water in the hot water boiler unto the lime edge. This accelerates the descaling process.

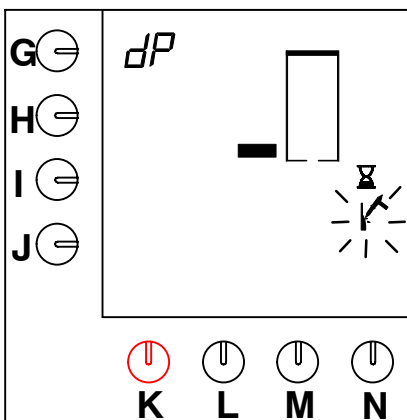


Fig. 25 Pause for interaction of the descaler

- When the water is hot, a sandglass and a flashing hammer symbol appears on the display (fig. 25) . A 5 minutes waiting time follows to let the renegite do its job.

- When the signal sounds and the level blocks on the display flash, the hot water boiler must be emptied through the hot water tap.
- Put the tap in the blocking position (push the handle as far backward as possible) and empty the boiler.
- Discharge the last bit of water by pulling up the overflow pipe (S.).
- Close the hot water tap.
- Press the confirmation key (L.) to confirm that the boiler is empty.
 - The second level block appears on the display.
 - The hot water boiler is filled and the hammer symbol flashes on the display.
 - When the signal sounds and the level blocks on the display flash, the hot water boiler must be emptied again through the tap.
- Put the tap in the blocking position and empty the boiler.
- Discharge the last bit of water through the overflow pipe. For this pull up the overflow pipe (S., fig. 22) .
- Press the confirmation key (L.) to confirm that the boiler is empty.
 - The third level block appears on the display.
 - The hot water boiler is filled and the hammer symbol flashes on the display.
 - When the signal sounds and the level blocks on the display flash, the hot water boiler must be emptied again through the tap.
- Put the tap in the blocking position and empty the boiler.
- Discharge the last bit of water through the overflow pipe. For this pull up the overflow pipe (S., fig. 22) .
- Close the hot water tap.
- Press the confirmation key (L.) to confirm that the boiler is empty.
 - The fourth level block appears on the display.
 - The hot water boiler is filled for the last time and the hammer symbol flashes on the display.
 - When the signal sounds and the level blocks on the display flash, the hot water boiler must be emptied again through the tap.
- Put the tap in the blocking position and empty the boiler.

- Discharge the last bit of water through the overflow pipe. For this pull up the overflow pipe (S., fig. 22).
- Close the hot water tap.
- Press the confirmation key (L.) to confirm that the boiler is empty.
 - The counter reading appears on the display and is automatically set to zero.
 - After this the programme returns to the users' menu (§ 7.1).

7.2.5 Descaling counter coffee-making system

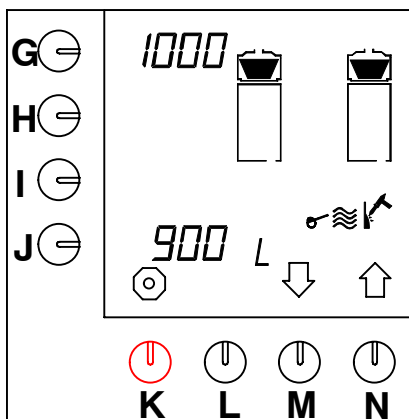


Fig. 26 Descaling counter coffee-making system

- Press, after having entered the operators' PIN code, 4 times the selection key (M.)↓.
 - The descaling counter appears on the display (fig. 26).
 - On the display beside the programming key (G.) is shown after how many litres of coffee descaling is needed.
 - Beside programming key (J.) it is shown how many litres already have been made.
- Press 2 on selection key (N.)↑ to go to the descaling programme or press selection key (M.)↓ to go to the next setting or press stop key (K.) to exit the programming menu.

7.2.6 Descaling counter hot water system

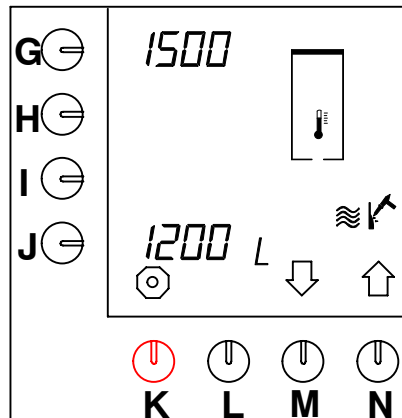


Fig. 27 Descaling counter hot water system

- Press, after having entered the operators' PIN code, 3 times on selection key (N.)↑.
 - The descaling counter appears on the display (fig.27).
 - On the display beside the programming key (G.) it is shown after how many litres water descaling is needed.
 - Beside programming key (J.) it is shown how many litres already have been made.
- Press 2 times the selection key (N.)↑ to go to the descaling programme or press selection key (M.)↓ to go to the next setting or press stop key (K.) to exit the programming menu.

7.2.7 Total counter coffee-making system

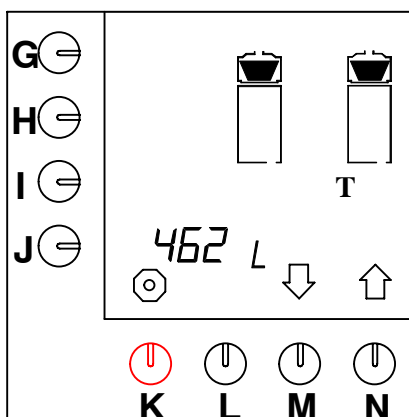


Fig. 28 Total counter coffee-making system

- Press, after having entered the operators' PIN code, 2 time the selection key (N.)↑.
 - The total counter appears on the display. The total number of litres of coffee that have been made during the lifetime of the machine can be read from the display (fig. 28).
 - The display can maximally read 9999 litres. When over 9999 litres have been made, the number appears in a rolling movement on the display.
- Press selection key (M.)↓ to go to the next setting or press stop key (K.) to exit the programming menu.

7.2.8 Total counter hot water system

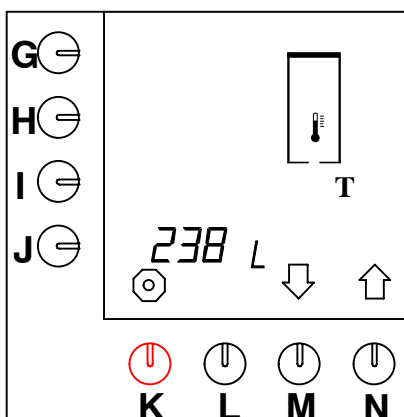


Fig. 29 Total counter hot water system

- Press, after having entered the operators' PIN code, selection key (N.)↑.
 - The total counter appears on the display. The total number of litres of hot water that have been made during the lifetime of the machine can be read from the display (fig. 29).
 - The display can maximally read 9999 litres. When over 9999 litres have been made, the number appears in a rolling movement on the display.
- Press selection key (M.)↓ to go to the next setting or press stop key (K.) to exit the programming menu.

7.3 The extended programming menu

Below a description is given of how users with extended authority (principal), after having entered the PIN code, can view and adjust all settings. First read this section to see which settings can be made.



TIP

- The extended programming menu needs a principal user PIN code.
- Enter the principal user PIN code to access the programming menu. The programme starts in the carousel (fig.12) of the extended users' menu with § 7.3.1, "Setting total amount of water".
- When a wrong PIN code has been entered, one should wait a while until the initial screen re-appears on the display. Enter the PIN code again.
- Press selection key (N.)↑ to go clockwise to the next setting (§ 7.3.2), also see fig.12 .
- Press selection key (M.) ↓ to go counter-clockwise to the next setting (§ 7.3.19). By pressing a selection key several times the entire carousel can be browsed through (fig.12).
- The settings are described in the order of the carousel, **clockwise** (fig.12).
- On the display the value to be adjusted is each time indicated by flashing.
- When an enter symbol ↵ appears on the display, the setting can be confirmed by pressing the confirmation key (L.).
- With the red stop key (K.) the changing of the setting can be interrupted and cancelled. By pressing again the red stop key (K.) the programming is left and the programme returns to the users' menu (§ 7.1). The change is *not* saved.
- When *after confirming* a changed setting no further changes are to be made, the programming menu can be left by pressing the stop key (K.). The changes are saved and the programme returns to the users' menu (§ 7.1).
- When for 20 seconds no activities have taken place in the programming menu, the programme returns to the users' menu (§ 7.1). Non-confirmed settings are not saved.

- When the symbol ⇄ appears in the menu, the setting can be set to zero by pressing simultaneously both selection keys (M.)↓ and (N.)↑.

7.3.1 Setting total amount of water

The total amount of water to be delivered can be adjusted, as always a certain amount of water remains behind in the coffee filter. This amount can differ by the use of different kinds of coffee and grinds. The default setting is 6% extra water. In table 4 the setting options are given:

Model	Factory setting	Setting range
B5HW	5,3 litres	4,8-5,8 litres
B10HW	10,6 litres	9,6-11,6 litres
B20HW	21,2 litres	19,2-23,2 litres

Table 4 Adjusting total amount of water

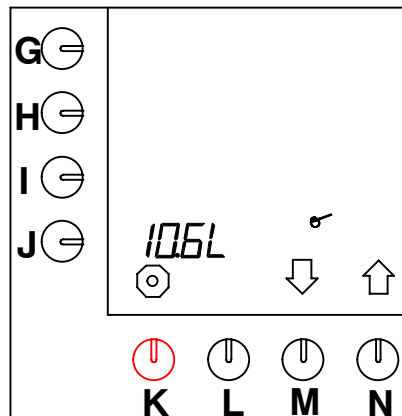


Fig. 30 Total amount of water

- After having entered the principal user PIN code fig.30 appears on the display.
- Press programming key (J.).
 - The L with the associated value beside the programming key starts flashing.
- Press selection key (M.)↓ or (N.)↑ to select the desired extra amount of water (table 4).
 - The enter symbol ↵ appears on the display.
- Press confirmation key (L.) to confirm the adjustment.
- Press selection key (N.)↑ to go to the next setting (§ 7.3.2) or press stop key (K.) to exit the programming menu.

7.3.2 Selected units: litres, cups, jugs or US gallon

The machine is default set to the unit L (= litres). This unit can be changed. (This unit is default on the display with the preference keys (fig.33)).

- A selection can be made from the following units: Litre = L, Gallon = GL (3.7853 L), Jug, or Cup (fig.31).
- The selected is also used for further settings, except with the total counters.

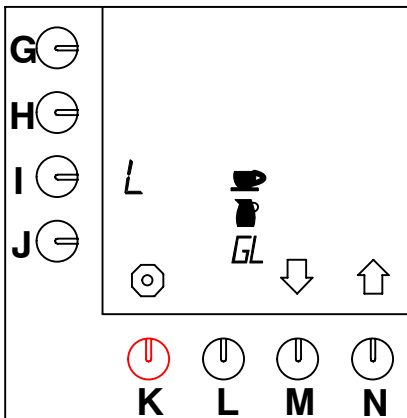


Fig. 31 Units to be selected

- Press programming key (I.).
 - The L of litres starts flashing on the display.
 - This is the default setting (fig.32).
- Press the selection key (M.)↓ or (N.)↑ until the symbol for the desired unit flashes on the display: cup, jug, GL (= US Gallon) or L (= litre).
 - The enter symbol ↵ appears on the display.
- Press confirmation key (L.) to confirm the adjustment.
 - The symbol for the desired unit stops flashing and the other symbols disappear.

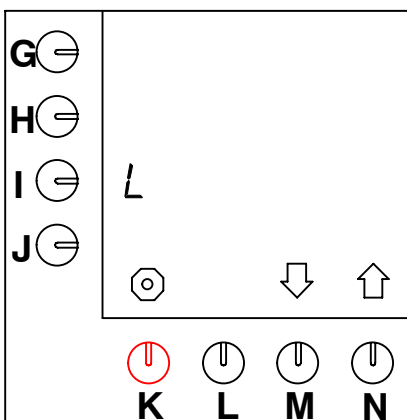


Fig. 32 The default set unit = L (litres)

- Selected unit:
 - litre**, go to § 7.3.2.1
 - tap**, go to § 7.3.3
 - jug**, go to § 7.3.4
 - US gallon**, go to § 7.3.5.

7.3.2.1 Changing pre-programmed selection keys G–J (Litres)

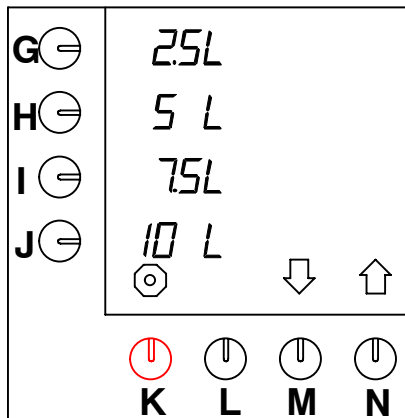


Fig. 33 Default pre-selection keys

- Press selection key (N.)↑, until fig.33 appears on the display.
 - The default pre-selection of keys (G.–J.) can now be adjusted.
- Press the pre-selection key to be changed (G., H., I. or J.).
- Press selection key (M.)↓ or (N.)↑ to select the desired amount (table 5).
 - The enter symbol ↵ appears on the display.
 - Repeat these two previous steps to change other pre-selection keys if necessary.
- Press the confirmation key (L.) to confirm the adjustment.
- Press selection key (N.)↑ to go to the next setting (§ 7.3.6.1) or press stop key (K.) to exit the programming menu.

Model	Factory setting pre-programmed selection keys	Setting range
B5HW	1-3-4-5 litres	1-5 litres
B10HW	2,5-5-7,5-10 litres	2-10 litres
B20HW	5-10-15-20 litres	4-20 litres

Table 5 Default settings

7.3.3 Cup contents

The contents of a cup can be set, as not all cups are of the same size.

- The setting range is between 50 and 200ml and can be adjusted by steps of 5ml.
- The default setting for a cup is 125ml.

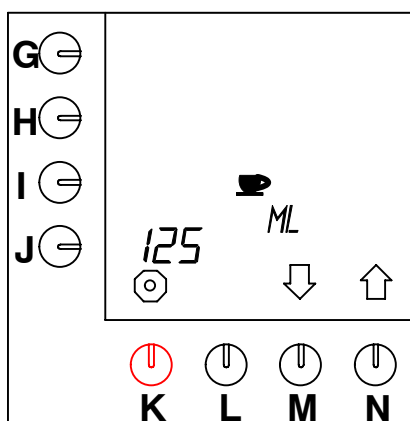


Fig. 34 Cup contents

- Press selection key (N.)↑ until fig.34 appears on the display.
- Press programming key (J.).
 - The position beside the programming key starts flashing.
- Press selection key (M.)↓ or (N.)↑ to select the desired amount.
 - The enter symbol ↵ appears on the display.
- Press confirmation key (L.) to confirm the adjustment.

7.3.3.1 Adjusting pre-programmed selection keys G–J (Cups)

The machine calculates itself the number of cups of the default pre-selectionkeys, in relation to the preferred settings of litres divided by the content of the cup. These default pre-selectionkeys can be adjusted as desired.

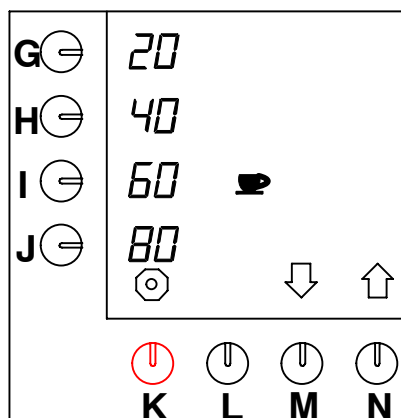


Fig. 35 Adjusting pre-programmed selection keys for cups

- Press selection key (N.)↑ until fig.35 appears on the display.
 - The default pre-selectionof keys (G.–J.) can now be adjusted.
- Press the pre-selectionkey to be changed (G., H., I. or J.).
- Press selection key (M.)↓ or (N.)↑ to select the desired amount (table 6).
 - The enter symbol ↵ appears on the display.
 - Repeat these two previous steps to change other pre-selectionkeys if necessary.
 - When cup contents other than 125ml have been selected, the values of the pre-selectionkeys will also differ from the values given in table 6 .
- Press confirmation key (L.) to confirm the adjustment.
- Press selection key (N.)↑ to go to the next setting (§ 7.3.6.1) or press stop key (K.) to exit the programming menu.

Model	Factory setting pre-programmed selection keys	Setting range cup)
B5HW	8, 24, 32, 40 cups	8–40 cups
B10HW	20, 40, 60, 80 cups	20–80 cups
B20HW	40, 80, 120, 160 cups	40–160 cups

Table 6 Default pre-selection keys for cups

7.3.4 Jug contents

The contents of a jug can be set, as not all jugs have the same size.

- The setting range is between 50 and 3000ml and can be adjusted by steps of 10ml .
- The default setting for a jug is 250ml.

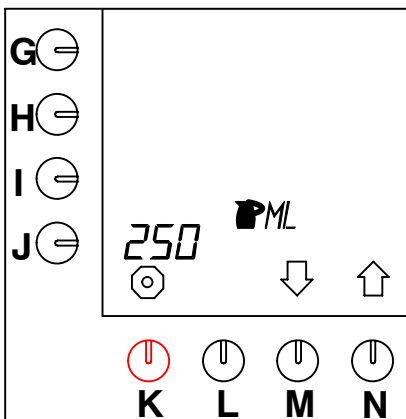


Fig. 36 Jug contents

- Press selection key (N.)↑ until fig.36 appears on the display.
- Press programming key (J.).
 - The position beside the programming key starts flashing.
- Press selection key (M.)↓ or (N.)↑ to select the desired amount.
 - The enter symbol ↵ appears on the display.
- Press confirmation key (L.) to confirm the adjustment.

7.3.4.1 Adjusting pre-programmed keys G–J (Jugs)

The machine itself calculates the number of jugs for the default pre-selectionkeys, in relation to the preferred setting of litres divided by the contents of the jug. These default pre-selectionkeys can be adjusted as desired.

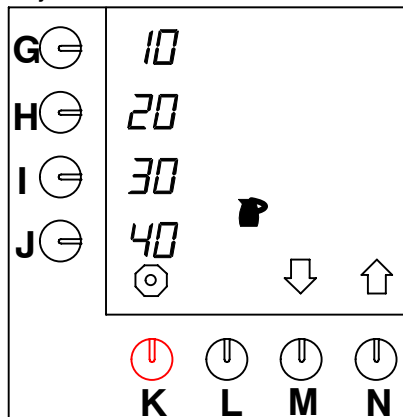


Fig. 37 Adjusting pre-programmed selection keys for jugs

- Press selection key (N.)↑ until fig.37 appears on the display.
 - The default pre-selectionof keys (G.–J.) can now be adjusted.
- Press the pre-selectionkey to be changed (G., H., I. or J.).
- Press selection key (M.)↓ or (N.)↑ to select the desired amount (table 7).
 - The enter symbol ↵ appears on the display.
 - Repeat these two previous steps to change the other pre-selectionkeys if necessary.
 - When jug contents other than 250ml have been selected, the values of the pre-selectionkeys will also differ from the values given in table 7 .
- Press confirmation key (L.) to confirm the adjustment.
- Press selection key (N.)↑ to go to the next setting (§ 7.3.6.1) or press stop key (K.) to exit the programming menu.

Model	Factory setting pre-programmed selection keys	Setting range (250ml/jug)
B5HW	4-12-16-20 jugs	4-20 jugs
B10HW	10-20-30-40 jugs	10-40 jugs
B20HW	20-40-60-80 jugs	20-80 jugs

Table 7 Default pre-selection keys jugs

7.3.5 US gallon

The unit US gallon is a set value that cannot be adjusted (fig.38).

1 Us gallon = 3.7853 litres

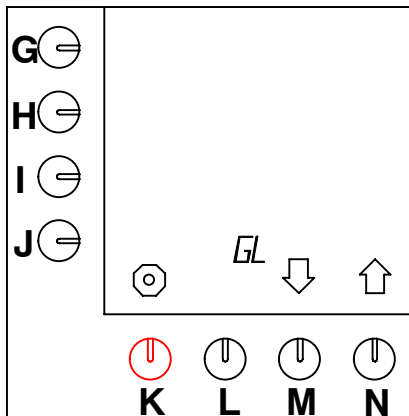


Fig. 38 Pre-programmed selection key for gallons

7.3.5.1 Adjusting pre-programmed selection keys G–J (Gallon)

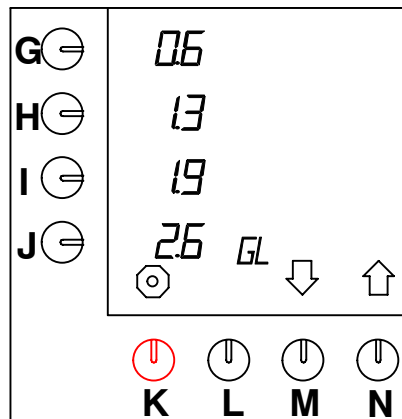


Fig. 39 Adjusting pre-programmed selection keys for gallons

- Press selection key (N.)↑ until fig.39 appears on the display.
 - The default pre-selection of keys (G.–J.) can now be adjusted.
- Press the pre-selection key to be changed (G., H., I. or J.).
- Press selection key (M.)↓ or (N.)↑ to select the desired amount (table 8).
 - The enter symbol ↵ appears on the display.
 - Repeat these two previous steps to change the other pre-selection keys if necessary.
- Press confirmation key (L.) to confirm the adjustment.
- Press selection key (N.)↑ to go to the next setting (§7.3.6.1) or press stop key (K.) to exit the programming menu.

Model	Factory setting pre-programmed selection keys	Setting range US-gallon
B5HW	0,30-0,65-0,95-1,30	0,30-1,30
B10HW	0,65-1,30-1,95-2,60	0,65-2,60
B20HW	1,30-2,60-3,95-5,25	1,30-5,25

Table 8 Default pre-selection keys gallon

7.3.6 Settings hot water system

The hot water temperature can be set between 88°C – 3°C under the boiling point. The default temperature is °Celsius, but this can also be set to °Fahrenheit.

The automatic boiling point determination programme can be reset (§ 7.3.6.2). This can **only** be done when the water has **not yet reached 85 °C** (at sea level). Otherwise drain a little water and refill with cold water (till maximum 6,5 cm under the rim of the kettle).

7.3.6.1 Setting temperature and degrees Celsius or Fahrenheit

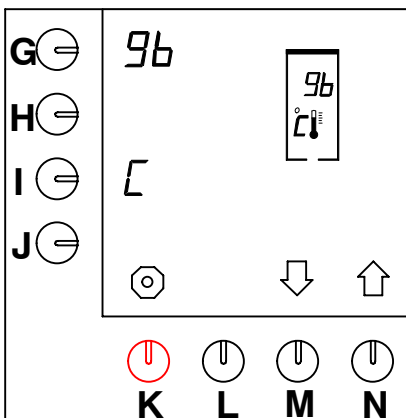


Fig. 40 Setting the temperature

- Press, after having entered the principal user PIN code, 3 time selection key (N.)↑ until fig.40 appears on the display.
- Press programming key (G.).
 - The position beside the programming key starts flashing.
- Press selection key (M.)↓ or (N.)↑ to select the desired temperature.
 - On the display beside the programming key (I.) there is the "C" of Celsius.
- If desired, press programming key (I.) to change the temperature into Fahrenheit. The "C" changes into "F".
 - The enter symbol ↵ appears on the display.
- Press confirmation key (L.) to confirm the adjustment.
- Press selection key (N.)↑ to go the next setting (§ 7.3.7.1) or press stop key (K.) to exit the programming menu.

7.3.6.2 Resetting the automatic boiling point determination programme

- Press, after having entered the principal user PIN code, 3 time selection key (N.)↑ until fig. 40 appears on the display.
- Press for about 20 seconds programming key (H.).
 - The automatic boiling point determination programme is activated.
 - A zero starts flashing on the display.
 - The programme takes about 15–25 minutes. This depends on the temperature of the water in the kettle.

TIP

- If the water in the kettle is cold, drain it completely and pour hot water (ca. 70 °C) into the kettle till maximal 6,5 cm under the rim of the kettle. This will shorten the time of the automatic boiling point determination programme till about 15 minutes.
- When the automatic boiling point determination programme has finished, the program returns to the users menu, the starting screen appears in the display, see fig. 8 , § 4.1.1. Also the temperature has been reset to the default setting (96 °C, at sea level).



- Press selection key (N.)↑ to go the next setting (§ 7.3.7.1) or press stop key (K.) to exit the programming menu.

7.3.7 Various settings, such as language, system clock, and container preheating

7.3.7.2 Setting the current day and time


TIP

- The settings of this chapter can all be set sequentially. Do not press the confirmation key (L.) until all settings are satisfactory (after § 7.3.7.3.).

7.3.7.1 Language setting

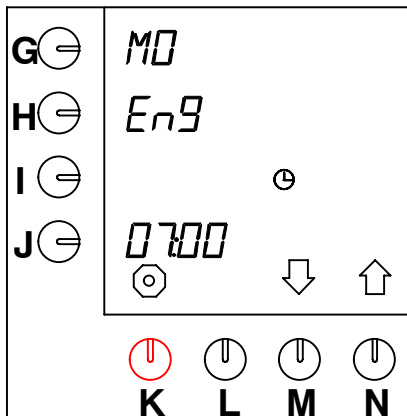


Fig. 41 Language setting

- Press selection key (N.)↑ until fig.42 (Current day and time) appears on the display.
- Press programming key (H.) and hold it down for 10 seconds.
 - After 10 seconds the default setting "EnG" appears flashing beside the programming key (fig. 41).
- Press selection key (M.)↓ or (N.)↑ to select the desired language (table 9).
 - The enter symbol ↵ appears on the display.
- Press confirmation key (L.) for confirmation.
 - On the display appears beside the programming key (G.) the day in the language selected.

Available languages				
EnG	dEu	FrA	ESP	nEd

Table 9 Language option

The machine works with a timer. When the time has not been set at the initial use or needs to be adjusted between times, this can be done as follows:

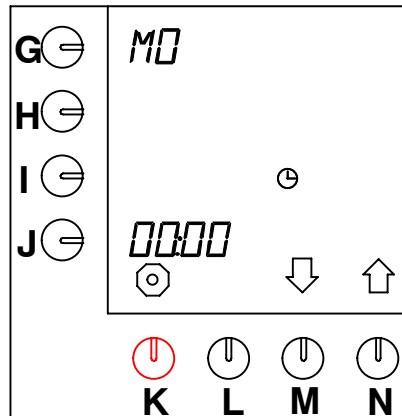


Fig. 42 Current day and time

- Press programming key (G.) for the day setting.
 - The position beside the programming key starts flashing.
- Press selection key (M.)↓ or (N.)↑ to select the current day (table 10).
- Press programming key (J.) for the time setting.
 - The hours setting beside the programming key starts flashing (fig. 42).
- Press selection key (M.)↓ or (N.)↑ to select the present hour.
- Press again the programming key (J.).
 - The minutes position beside the programming key starts flashing.
- Now fill in the present minutes.
- Press confirmation key (L.) for conformation.

	Days of the week						
EnG	Mo	tu	WE	th	Fr	SA	Su
dEu	Mo	di	Mi	do	Fr	SA	So
FrA	Lu	MA	ME	JE	VE	SA	di
ESP	Lu	MA	Mi	Ju	Vi	SA	do
nEd	MA	di	Wo	do	Vr	ZA	Zo

Table 10 Reproduction "Days of the week"

- The letters are in capitals and small because of the limited possibilities of the digital letters.



7.3.7.3 Setting container preheating

TIP

- It is possible to preheat the coffee container five minutes before the coffee-making process.

This can be done as follows:

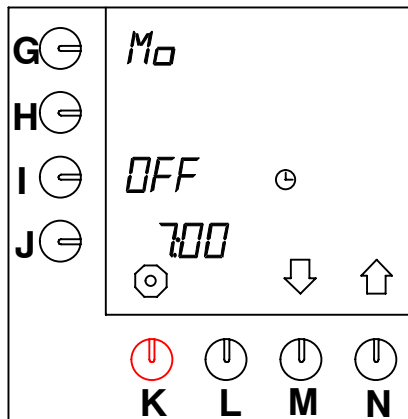


Fig. 43 Container preheating

- Press programming key (I.) and hold it down for 10 seconds.
 - OFF appears on the display beside the programming key (I.) (fig.43).
- Press selection key (M.)↓ or (N.)↑ to activate the preheating.
 - ON appears on the display beside the programming key (I.).
 - The enter symbol ↵ appears on the display.
- Press confirmation key (L.) for confirmation.
 - The container and the set value disappear from the display.
- Press stop key (K.) to exit the programming menu or press confirmation key (L.) to go to § 7.3.8.

7.3.8 Timer

There are fourteen pre-programmed "time settings" for all days of the week. As soon as these are activated through the procedure below, they will only be active and visible in the user mode. All settings can be set as desired. The fourteen settings are default (fig. 44):

- Settings 1–14 on MO (English)
- OFF, inactive
- the maximum amount
- 7.00 hours

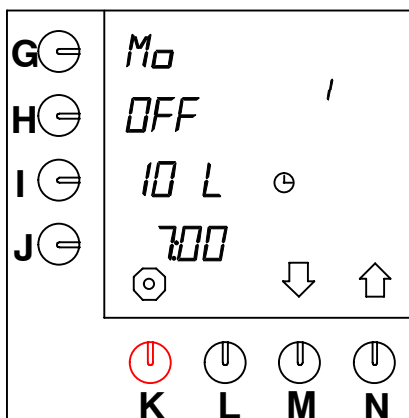


Fig. 44 Pre-programmed settings (inactive)

The time settings are changed as follows:

- Press selection key (N.)↑ until fig.44 appears on the display.
- Press confirmation key (L.) to access the programme.
- Press selection key (M.)↓ or (N.)↑ to select the desired time setting (1–14).
- Press programming key (G.).
 - The position beside the programming key starts flashing.
- Press selection key (M.)↓ or (N.)↑ to select the desired day (table 10 , § 7.3.7.2).
- Press programming key (I.).
- Press selection key (M.)↓ or (N.)↑ to select the desired amount.
- Now press programming key (J.) to set the desired time.
 - The first two positions beside the programming key are flashing.
- Press selection key (M.)↓ or (N.)↑ to set the desired hour.
- Press again the programming key (J.) to set the minutes.
 - The last two positions beside the programming key are flashing.

- Press selection key (M.)↓ or (N.)↑ to set the desired minutes.
 - If all settings are as desired, the setting can be put from OFF to ON.
- Press programming key (H.).
 - OFF is changed into ON.
 - The setting can now be selected in the user mode.
 - The enter symbol ↵ appears on the display.
- Press confirmation key (L.) to confirm.
 - The desired time has been set now.
 - This procedure can be repeated for 14 pre-programmed time settings in total.
- Press selection key (N.)↑ to go to the next time setting (1–14) and repeat the above procedure.
- Press stop key (K.) and subsequently selection key (N.)↑ to go to the next setting § 7.3.9 or press stop key (K.) twice to exit the programming menu.
- Put the setting to ON to make the setting selectable in the user mode. If the setting is on OFF, the setting cannot be selected in the user mode, see § 7.1.1.

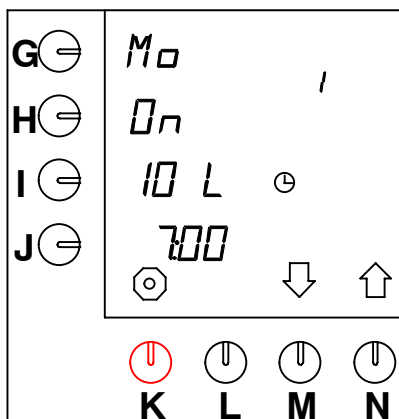


Fig. 45 Pre-programmed setting (active)

7.3.9 Lengthening water delivery time by setting pauses

The default time required for making a full container of coffee can be lengthened by setting pauses. This is, for example, necessary when very finely ground coffee or very soft water is used. Then some more time is needed for the water to go through the coffee filter, otherwise it will overflow. The capacity is reduced. This is indicated in %.

- Default setting to 100%, so no pauses.
- The setting range is between 100% and 50%, to be set in 5% steps. After the setting, the machine calculates the pause schedule itself. It can, however, be set to when the first pause should come.
- The setting must be determined by experience by making coffee.
- The minimum amount that can be set for the first pause is the volume of the filter cone +25%.

Model	Contents filter cone	Minimum amount first charge
B5HW	2 litres	2,5 litres
B10HW	4 litres	5,0 litres
B20HW	8 litres	10,0 litres

Table 11 Minimum amount first charge

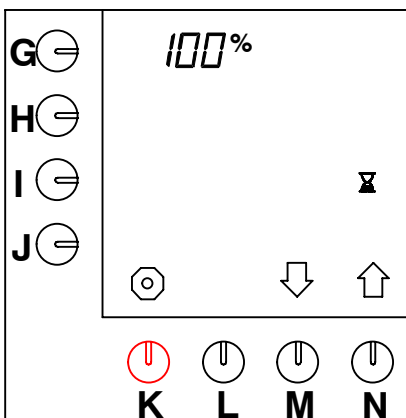


Fig. 46 Pause time 100%

- Press selection key (N.)↑ until fig.46 appears on the display.
- Press programming key (G.).
 - The position beside the programming key starts flashing.
- Press selection key (M.)↓ or (N.)↑ to select the desired programme.
 - The enter symbol ↓ appears on the display.

- Press confirmation key (L.) to confirm the adjustment.
- Press programming key (I.).

TIP

- This can only be done when the percentage is not set to 100%.
- Press selection key (M.)↓ or (N.)↑ to select the desired amount of the first charge.
 - The enter symbol ↓ appears on the display.
- Press confirmation key (L.) to confirm the adjustment.
- Press selection key (N.)↑ to go to the next setting or press stop key (K.) to exit the programming menu.



7.3.10 Setting dripping-on time

When the hot water supply through the spray head has stopped, it will take a while until the filter pan also stops dripping. The time required for this varies with different coffee brands and/or grinds. Therefore this dripping-on time can be changed.

- The default setting is on 120 seconds.
- The setting range is from 0 – 600 seconds in 10 seconds steps.

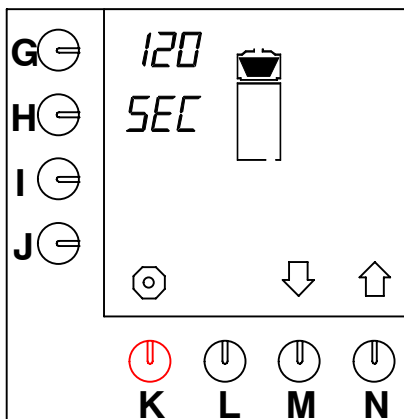


Fig. 47 Dripping-on time

The dripping-on time can be set as follows:

- Press selection key (N.)↑ until fig.47 appears on the display.
- Press programming key (G.).
 - The value beside the selection key starts flashing.
- Press selection key (M.)↓ or (N.)↑ to select the desired number of seconds.
 - The enter symbol ↓ appears on the display.
- Press confirmation key (L.).
 - The desired number of seconds has been set now.
- Press selection key (N.)↑ to go to the next setting or press stop key (K.) to exit the programming menu.

7.3.11 Setting number of grams of coffee per litre (coffee calculator)

In the user mode by simultaneously pressing the stop key (K.) and one of the pre-selection keys (G.–J.) it can be read how many grams of coffee must be used for the selected number of litres of coffee. For this first the amount of ground coffee *per litre* must be set. The programme calculates itself how much ground coffee must be used for an x number of litres.

- The default setting of the amount is 50 grams of ground coffee per litre.
- The calculation makes use of correction factors (table 12).

Number of litres	Default number of grams of ground coffee
1,0	50
2,0	100
2,5	120
3,0	150
4,0	200
5,0	240
10,0	480
15,0	690
20,0	900

Table 12 Number of grams per litre

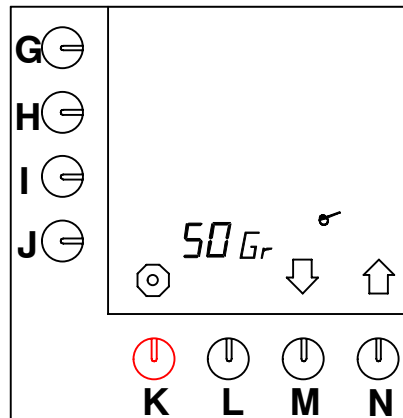


Fig. 48 Setting the coffee calculator

The number of grams of ground coffee per litre can be adjusted as follows:

- Press selection key (N.)↑ until fig.48 appears on the display.
- Press programming key (J.).
 - The value beside the selection key starts flashing.
- Press selection key (M.)↓ or (N.)↑ to select the desired number of grams.
 - The enter symbol ↵ appears on the display.
- Press confirmation key (L.).
 - The desired number of grammes has been set now.
- Press selection key (N.)↑ to go to the next setting or press stop key (K.) to exit the programming menu.

7.3.12 Reading total counter hot water system

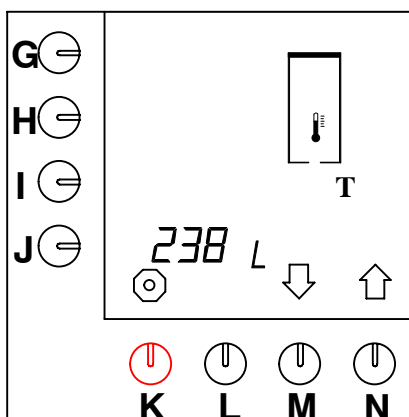


Fig. 49 Total counter hot water system

The total amount of hot water made during the lifetime of the machine can be read. This is done as follows:

- Press selection key (N.)↑ until fig.49 appears on the display.
 - Now the total amount of hot water made can be read.
 - The display can maximally read 9999 litres. When over 9999 litres have been made, the number appears in a rolling movement on the display.
- Press selection key (N.)↑ to go to the next setting or press stop key (K.) to exit the programming menu.

7.3.13 Reading total counter coffee-making system

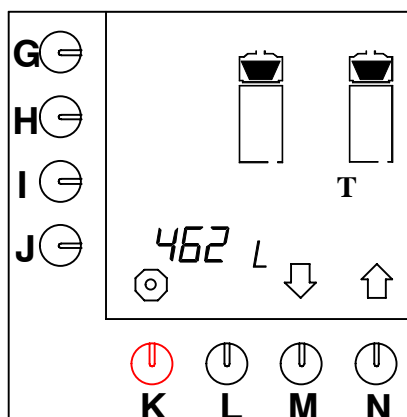


Fig. 50 Total counter coffee making system

The total amount of coffee made during the lifetime of the machine can be read. This is done as follows:

- Press selection key (N.)↑ until fig.50 appears on the display.
 - Now the total amount of coffee made can be read.
 - The maximum reading on the display can be 9999 litres. When over 9999 litres have been made, the number appears in a rolling movement on the display.
- Press selection key (N.)↑ to go to the next setting or press stop key (K.) to exit the programming menu.

7.3.14 Setting descaling signal hot water system

7.3.15 Setting descaling signal coffee-making system


TIP

- The descaling signal for the hot water system is for all types set to 1000 litres, see the position beside the selection key (G.), fig. 51 .
- The setting range can be set as desired between 100 and 9900 litres in steps of 100 litres.
- The position beside the selection key (J.) gives the number of litres already made. In this way it can be checked whether the system soon needs descaling.
- When the set value is reached, the hammer symbol and the thermometer will flash on the display indicating that the machine needs descaling.

TIP

- The descaling signal for the coffee brewing system is for all types set to 1000 litres, see the position beside the selection key (G.).
- The setting range can be set as desired between 100 and 9900 litres in steps of 100 litres.
- The position beside the selection key (J.) gives the number of litres already made. In this way it can be checked whether the system soon needs descaling.
- When the set value is reached, the hammer symbol and the measuring spoon will flash on the display indicating that the machine needs descaling.

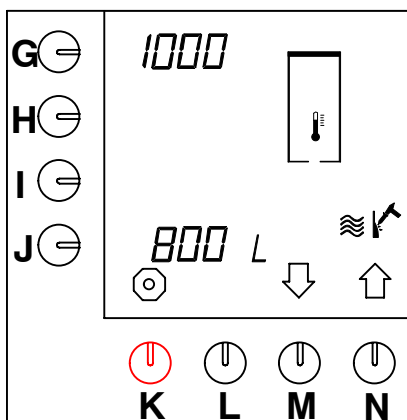


Fig. 51 Descaling signal hot water system

The descaling signal can be set as follows:

- Press selection key (M.)↓ until fig.51 appears on the display.
- Press programming key (G.).
 - The value beside the selection key starts flashing.
- Press selection key (M.)↓ or (N.)↑ to select the desired number of litres after which descaling is required.
 - The enter symbol ↵ appears on the display.
- Press confirmation key (L.).
 - The desired amount has now been set.
- Press selection key (N.)↑ to go to the next setting or press stop key (K.) to exit the programming menu.

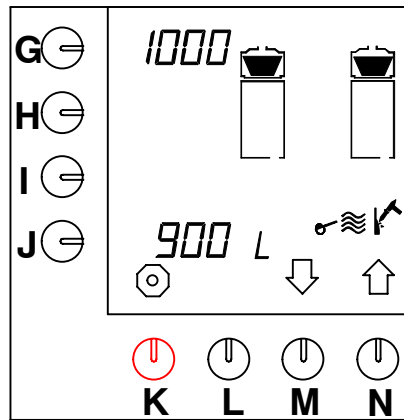


Fig. 52 Descaling signal coffee-making system

The descaling signal can be set as follows:

- Press (M.)↓ until fig.52 appears on the display.
- Press programming key (G.).
 - The value beside the programming key starts flashing.
- Press selection key (M.)↓ or (N.)↑ to select the desired number of litres after which descaling is required.
 - The enter symbol ↵ appears on the display.
- Press the confirmation key (L.).
 - The desired amount has now been set.
- Press selection key (N.)↑ to go to the next setting or press stop key (K.) to exit the programming menu.

Number of litres	Water hardness		
	°dH	°TH	Description
± 250 litres	18 – 30	32 – 55	hard
± 500 litres	12 – 18	22 – 32	fairly hard
± 1000 litres	8 – 12	15 – 22	average
± 1500 litres	4 – 8	7 – 15	soft
± 2000 litres	0 – 4	0 – 7	very soft
4,0 °dH = 0,714 mmol/litres			
5,6 °dH = 1,000 mmol/litres			
8,0 °dH = 1,429 mmol/litres			
12,0 °dH = 2,143 mmol/litres			
18,0 °dH = 3,214 mmol/litres			
30,0 °dH = 5,357 mmol/litres			
10,0 °TH = 1,000 mmol/litres			

Table 13 Water hardness

7.3.16 Starting descaling programme hot water system

See § 7.2.4.

7.3.17 Starting descaling program coffee-making system

See § 7.2.3

7.3.18 Resetting the day counter of the hot water system

The total amount of hot water made per day can be read. The day counter can be reset daily. This is done as follows:

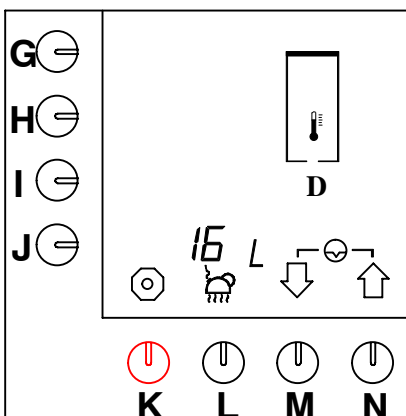


Fig. 53 Resetting the day counter of the HW system

- Press selection key (M.)↓ until fig.53 appears on the display.
- Press selection keys (M.)↓ and (N.)↑ simultaneously.
 - The day counter is reset.
- Press selection key (N.)↑ to go to the next setting or press stop key (K.) to exit the programming menu.

7.3.19 Resetting day counter coffee-making system

TIP

- The amount is only given in **litres**. Even if the amount at § 7.3.1 has been set to cups, jugs or us gallons.
- Press the selection key (M.)↓ a bit longer (about 2 sec.) than in the previous programme sections to view and/or adjust the counter readings below.

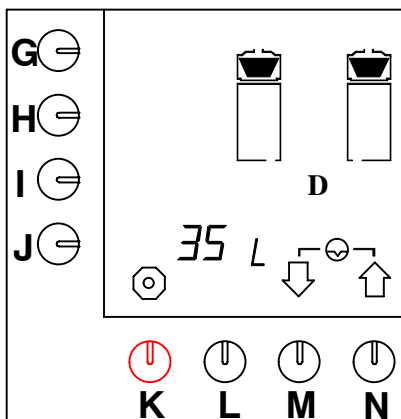


Fig. 54 Resetting day counter coffee-making system

The total amount of coffee made daily can be read. The day counter can be reset daily. This is done as follows:

- Press selection key (M.)↓ until fig.54 appears on the display.
- Press selection keys (M.)↓ and (N.)↑ simultaneously.
 - The day counter is reset.
- Press selection key (N.)↑ to go to the next setting or press stop key (K.) to exit the programming menu.

8. CORRECTING MALFUNCTIONS

In case of malfunctions first consult the malfunctions tables. If the problem cannot be solved, consult your Bravilor Bonamat dealer, your service mechanic or one of the service desks.

WARNING

△ Check first to determine if the malfunction has a mechanical or electrical origin. Work and repairs on the electrical system may only be carried out by a trained and authorized service technician.



8.1 Malfunctioning analysis general

LIST OF MALFUNCTIONS		
Symptom:	Possible cause:	Actions:
1. Nothing appears on the display.	The switch (P.) is off.	Switch ON/OFF switch (P.) ON.
	The supply voltage has been interrupted.	Connect the supply voltage.
2. At switching on the machine with the main switch, the temperature setting flashes with the figures 00.	The machine will first start calibrating to ensure an optimum setting.	Wait until the machine is ready (± 25 minutes).
3. The water temperature is not right.	The temperature has been set too high or too low.	Adjust the water temperature, see § 7.3.6.1.
4. Time is not set correctly.		Set the correct time and day, see § 7.3.7.2.
5. The machine does not work according to the timer.	All B(HW)–machines are standard provided with a timer, see § 7.3.8. This must, however, be activated.	Activate the timer, see § 7.3.8.

8.2 Coffee-making system

LIST OF MALFUNCTIONS		
Symptom:	Possible cause:	Actions:
1. After pressing the 'amount key' the machine beeps every other second.	Spray head outlet is not positioned properly in relation to the filter unit (see display).	Position the spray head outlet correct above the filter unit.
	Container is not positioned properly (see display).	Place the container in the correct position.
		Call in service.
2. Filter unit runs over.	The filter paper is doubled.	Check the filter paper.
	Due to a combination of soft water (<7° DH), too finely ground coffee or the use of flat filter paper the water cannot go through the coffee / filter paper quickly enough.	Make use of the filter cone with cone filter paper and/or use a courser ground coffee.
		Adjust the coffee-making capacity, see § 7.3.9.
3. Coffee is too cold.	Plug of the container is not connected to the column.	Connect the plug of the container to the socket on the column (Q.).
	Container switch is not on.	Switch on the container switch (AA.).
	Internal fuse has blown due to overload.	Call in service.
4. Coffee is too strong / not strong enough.	Incorrect coffee dosage.	Set the correct dosage using the coffee calculator, see § 4.1.4.
	Incorrect setting of the amount of water.	Set the correct amount of water, see § 7.3.1.
	The mixer pipe is not there.	Insert the mixer pipe (X.) into the container.
5. Too much / too little coffee in the container.	Incorrect setting of the amount of water.	Set the correct amount, see § 7.3.1.
6. Coffee grounds in the coffee container.	Filter paper torn or doubled.	Check the filter paper.
7. After the container has been filled the symbol of the filter unit is still lit.	Drip time too long.	Set the drip time again, see § 7.3.10.

LIST OF MALFUNCTIONS		
Symptom:	Possible cause:	Actions:
8. The machine gives the signal that it is ready (3 beeps), but the container is not full yet.	Drip time too short.	Set the drip time again, see § 7.3.10.
9. The machine steams while making coffee and the coffee making takes too much time.	The machine is calcified.	Descale the machine earlier, see § 7.2.3 and lower the descaling indicator value, see § 7.3.15.








8.3 Hot water system

LIST OF MALFUNCTIONS		
Symptom:	Possible cause:	Actions:
1. Water too cold / hot.	Water temperature set too low / high.	Set the water temperature again, see § 7.3.6.1. Remark: The maximum water temperature is 3° below the boiling point. In the maximum temperature range the water starts boiling every 10 minutes. This option is no longer applicable when the setting is lowered.
2. Water boils continuously.	Due to extreme weather conditions the air pressure can change, making the water boil quicker.	Call in service.
3. The water system does not warm up.	Temperature sensor defect.	Call in service.
	Boiling dry safety device applied.	Call in service.
4. The hot water system warms up very slowly.	An element is defective.	Call in service.

8.4 Display messages and their meanings

During normal use (e.g. in the case of malfunctions or errors) or during the setting procedure messages can appear on the display.

The table below gives an overview of these messages, as well as the possible causes and the actions to be taken (by the system or the user) to return the system to normal functioning.

DISPLAY MESSAGES			
		Possible cause:	Actions:
E1	“ERR +  +  + beep”	The overflow safety device of the coffee-making system has been activated.	Switch the ON/OFF switch (P.) off and on again.
E1	“ERR +  +  + beep”	The overflow safety device of the hot water system has been activated.	Switch the ON/OFF switch (P.) off and on again. Call in service.
E2	“ERR +  + beep”	Temperature sensor is loose or defective.	Switch off the HW activating key (L.). Call in service.
E3	“ERR +  + beep”	The water supply is open, but no water comes out.	Open the tap. Call in service.
E3	“ERR +  + <i>uninterrupted beep</i> ”	The overflow safety device of the coffee-making system has been activated.	Switch the ON/OFF switch (P.) off.

9. CONSUMABLE ITEMS AND ACCESSORIES

The consumer goods and accessories available for the machine are given in the following list.

- Order the desired items from your dealer always mentioning the following data:
 - model code, type and sequence number of the machine (see the identification plate)
 - The description of the item concerned
 - The ordering number
 - quantity

9.1 Recommended consumable items

Description	Ordering number	Quantity
Filter cups (for filter cone) B5HW	7.150.102.301	250 pieces
Filter cups (for filter cone) B10HW	7.150.103.301	250 pieces
Filter cups (for filter cone) B20HW	7.150.104.301	250 pieces
Filter paper B5HW	7.150.503.301	250 pieces
Filter paper B10HW	7.150.507.301	250 pieces
Filter paper B20HW	7.150.505.301	250 pieces
Micro filter B5HW	7.110.203.101	1 piece
Micro filter B10HW	7.110.303.101	1 piece
Micro filter B20HW	7.110.403.101	1 piece
Cleaning material (CLEANER)	7.191.102.101 7.191.101.102	6 x 1 kg 48 x 25 g
Descaler (RENEGITE)	7.190.102.101 7.190.103.103	6 x 1 kg 40 x 100 g

9.2 Accessories

Description	Ordering number	Quantity
Water connecting hose	6.000.205.050	1 piece
Cover hot water system	6.000.211.757	1 piece
Cap filling opening descaler	6.311.090.001	2 pieces
Funnel	7.094.002.101	1 piece
Sight glass brush	7.110.605.101	1 piece
Washing-up brush	7.110.606.101	1 piece
Drip tray + grille (std) B5HW	7.110.229.501	1 piece
Drip tray + grille (std) B10HW	7.110.326.501	1 piece
Drip tray + grille (std) B20HW	7.110.412.501	1 piece

Gebruikerscode:

Stoptoets (K) indrukken en loslaten, daarna ↑↑↑↓↑ indrukken.

Benutzer Geheimzahl:

Stoptaste (K) eindrücken und wieder entlassen, danach ↑↑↑↓↑ eindrücken.

Code de l'opérateur

Appuyez la touche d'arrêt (K) et libérez-la, ensuite poussée ↑↑↑↓↑.

Operator code:

Push the stop key (K) and release it, thereafter push ↑↑↑↓↑.



Chef code:

Stoptoets (K) ingedrukt houden en tegelijkertijd de volgende toetsen ↑↑↑↓↑ indrukken.

Chef Geheimzahl:

Stoptaste (K) ingedrückt halten und den gleichen Zeitstoß die folgenden Tasten ↑↑↑↓↑ eindrücken.

Code de l'utilisateur principal

Appuyez sans interruption la touche d'arrêt (K) et la même temps appuyez les touches ↑↑↑↓↑.

Principal user code:

Continuously push the stop key (K) and the same time push the following keys ↑↑↑↓↑.